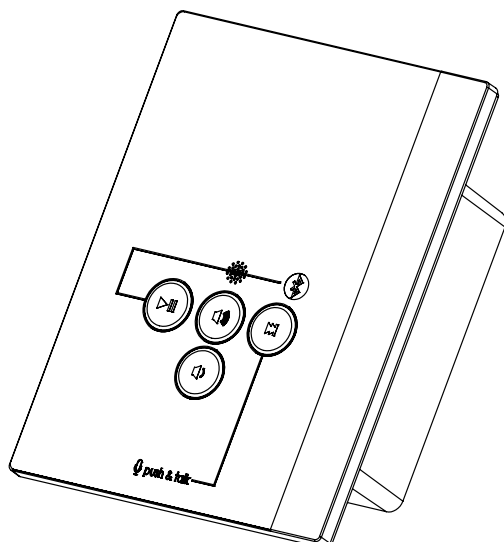


ProD Bluetooth

PROD-BT-B / PROD-BT-W

INSTRUCTIONS FOR INSTALLATION AND USE
English



EN

DE

FR

IT

NL

SV

FI

CS

PT

Table of Contents

1. About this instruction manual	3
2. Important information for your safety	4
2.1. Intended use	4
2.2. Safety information	4
3. Product description	5
3.1. Scope of delivery	5
3.2. Product features	5
4. Installation and connection	7
4.1. Preparing for installation	8
4.2. Connecting the device	9
4.3. Installing the device	9
5. Operation	10
5.1. Control	10
5.2. Establishing a connection for the first time (pairing)	11
5.3. Adjusting the volume	12
5.4. Pausing/resuming music playback	12
5.5. Selecting songs	12
5.6. Disconnecting	12
5.7. Re-establishing a connection	13
5.8. Switching audio sources	13
5.9. Answering a call while music is playing	14
5.10. Using voice recognition	14
6. Cleaning and maintenance	15
6.1. Cleaning	15
6.2. Maintenance	15
7. Disposal	15
8. Troubleshooting	16
9. Technical data	17

1. About this instruction manual

Read these instructions for installation and use carefully and keep them within reach of the device. This ensures that you can refer to information on safety and operation at any time.



These installation and operating instructions can also be found in the downloads section of our website: www.mediabank.harvia.com

Symbols

In these installation and operating instructions, symbols and signal words are used which have the following meanings:

ATTENTION!

This keyword is a warning that damage to property can occur.



This symbol indicates tips and useful information.

2. Important information for your safety

The Pro D Bluetooth module is built according to recognised safety rules. However, hazards may arise during use. Therefore adhere to the following safety information and the specific warning notices in the individual chapters.

2.1. Intended use

The ProD Bluetooth is an audio amplifier with a built-in microphone. It is designed for playing music from a Bluetooth-enabled device. The integrated microphone allows hands-free talking and access to a language assistant (e.g. Siri, Google Now etc.), provided the Bluetooth-enabled device supports this function. Bluetooth-enabled devices include most mobile phones, tablets or laptops.

Any use exceeding this scope is considered improper use. Improper use can result in damage to the product, severe injuries or death.

2.2. Safety information

- Installation and connection of the device may only be performed when the power supply is disconnected.
- Follow the instructions in this instruction manual during installation, as the product may otherwise be damaged or have its service life shortened.
- NEVER open the device.
- For your own safety, consult your supplier in the event of problems that are not described in sufficient detail in the installation and operating instructions.

3. Product description

3.1. Scope of delivery

- ProD Bluetooth
- Wall power supply with connection cable (1.5 m)
- Extension cable for connecting cable to the wall power supply (2 m)
- Assembly material (4 wood screws (16 mm), bracket for opening the control unit)

3.2. Product features

The ProD Bluetooth allows you to play music in the sauna or infrared cabin. The music is transmitted via a Bluetooth connection from a Bluetooth-enabled device (= audio source) to the ProD Bluetooth module. All Bluetooth-enabled devices, such as most mobile phones, tablets, notebooks, etc., can be used as an audio source. The amplifier is already integrated in the Bluetooth module.

The integrated microphone enables voice control of the Bluetooth-enabled device, provided it supports this function (e.g. Siri, Google Now etc).

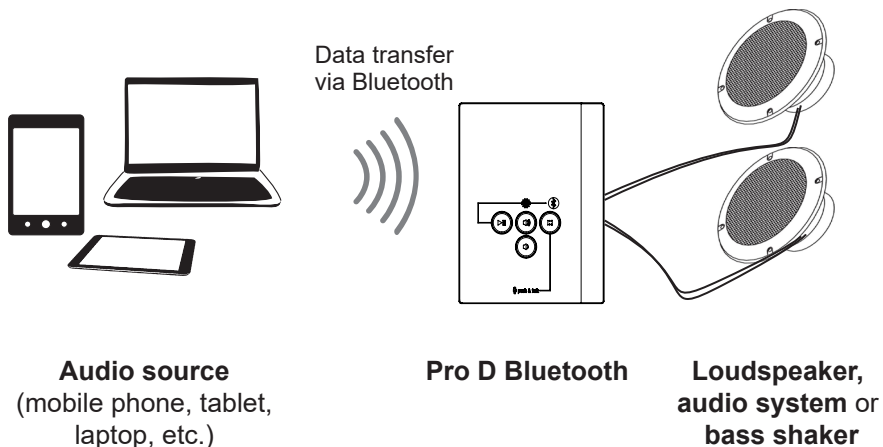


Figure 1: Product function

Installation location

The ProD Bluetooth module can be installed inside and outside the sauna, but the specifications of these installation instructions must be strictly observed (see **4. Installation and connection** on page **7** and **9. Technical data** on page **17**).

Recommended accessories

Speakers are needed to play music. The manufacturer recommends you use the following products:

<i>Item number</i>	<i>Name</i>	<i>Remarks</i>
WC4-BT-SPK	Loudspeaker set	Suitable for installation in the sauna cabin
WC4-BT-EXC	Electrodynamic exciter (Electromagnetic exciter)	To be mounted outside the sauna room Not suitable for all sauna cabins (depending on the wall construction)

If other speakers are used than those listed, disturbing noises may occur.

Caution: There will be no claim to the warranty in the case of problems regarding disturbing noises if using speakers other than WC4-BT-SPK and WC4-BT-EXC. You must observe the requirements under **9. Technical data** on page **17**.

Playback through an audio system

The ProD Bluetooth has a line-out output. This means you can also play music on an audio system such as the wave.com4 sound&light or a stereo system, if the stereo has a 3.5 mm line-in jack (aux-in jack).

Volume control

The volume can be adjusted in 4 levels on the ProD Bluetooth. Finer volume adjustments are made using the audio source (mobile phone, tablet etc.)

4. Installation and connection

- If you observe the following points, you can install the device inside the sauna:
 - Install the device as far away from the sauna heater, infrared lamps or other heat sources as possible.
 - Do NOT install the device on or right next to the sauna heater or other heat source.
 - The maximum installation height in a sauna cabin is 140 cm.
 - The maximum installation height in an infrared cabin is 170 cm.
 - No insulating material (such as mineral wool) may be located behind the device.
 - The ambient conditions (see **9. Technical data** on page 17) must be observed.
- Only the supplied extension cord may be used to extend the mains cable.

4.1. Preparing for installation

Note **Figure 2**.

ATTENTION!

Damage to the unit

- The ProD Bluetooth is splash-proof (protection class IPX4).
- Work on the ProD Bluetooth may only be carried out using an ordinary screwdriver. Using a cordless screwdriver may cause irreparable damage to the housing.

1. Cut the mounting hole the cabin wall with a jigsaw.
2. The minimum installation depth for a wall cut-out is 35 mm.
3. Remove any insulation from the mounting hole.
4. Lay the connecting cable in the wall of the sauna cabin to the mounting hole and fasten it with cable ties.

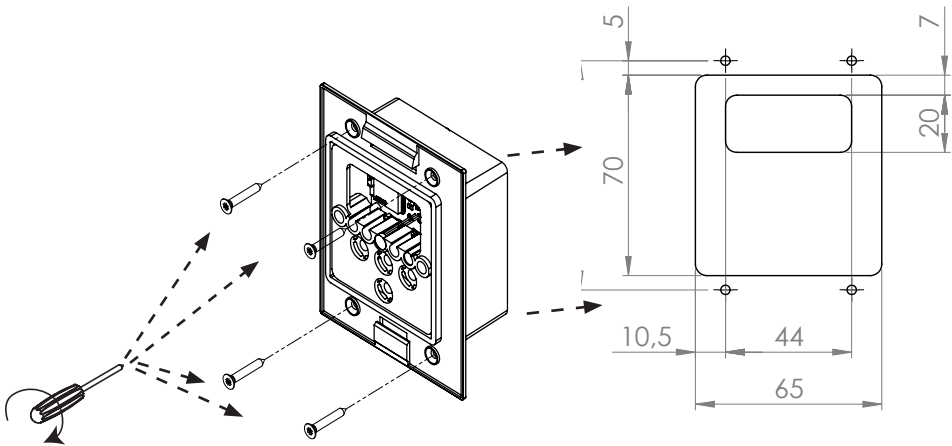


Figure 2: Installation in wall cut-out

R-	R+	L+	L-	V+	GND	R	GND	L
SPEAKER			+5V _{DC}		LINE OUT			

Figure 3: Connecting the device (rear)

4.2. Connecting the device

Note **Figure 3**.

1. Connect the 2-pin cable to the terminals marked “**5V_{DC}**”.
 - Plug the black cable into the terminal marked “**GND**” and the red cable into the terminal marked “**V+**”.
2. Connect the cable to the jack plug of the power supply unit.
3. Connect the loudspeaker cables (max. 3 m) to the terminals marked “**SPEAKER**”: connect the cables of the right speaker to terminals “**R**” and the cables of the left speaker to terminals “**L**”.
 - Plug the black cable into the terminals marked “**-**” and the red cables into the terminals marked “**+**”.
4. If you want to use an audio system for music playback, connect the “**LINE OUT**” output of the Bluetooth module to the line-in (aux-in jack) of the audio system. Use a cable resistant to temperatures up to 150 °C (NOT included).

EN

4.3. Installing the device

1. Insert the device into the mounting hole.
2. Screw the unit through the holes to the cabin wall using the four wood screws provided.
3. Gently press the front panel into the housing. Ensure that the lower catches engage noticeably.

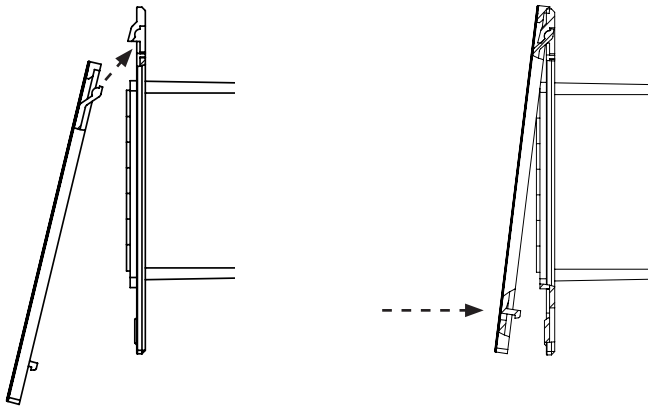
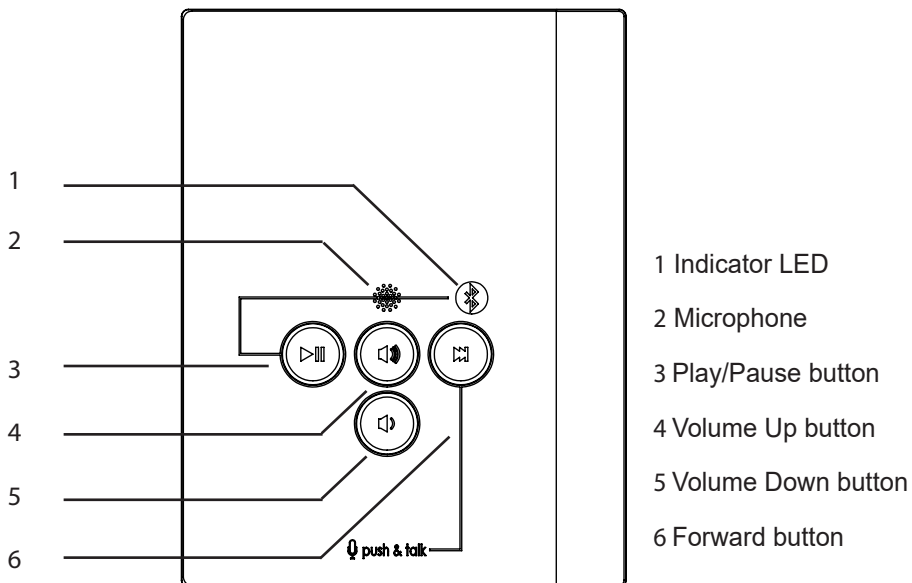


Figure 4: Mounting the front cover

5. Operation

5.1. Control



1 Indicator LED

2 Microphone

3 Play/Pause button

4 Volume Up button

5 Volume Down button

6 Forward button

5.2. Establishing a connection for the first time (pairing)



Observe the operating instructions for your audio source (mobile phone, tablet, etc.)

1. Plug the plug-in power supply of the ProD Bluetooth into an electrical socket (230 V).
 - ▶ The indicator LED 1 on the ProD Bluetooth flashes alternately red and blue for approx. 3 minutes (pairing mode).
 - ▶ After pairing, the ProD Bluetooth switches to standby mode. The indicator LED 1 on the ProD Bluetooth flashes blue slowly.
 - ▶ Press the forward button for 3 seconds to return to pairing mode.
2. Turn on the audio source (mobile phone, tablet, etc).
3. Turn on the Bluetooth function of the audio source.

If your audio source does not automatically search for Bluetooth devices in the area, start the search manually by selecting “Search for devices” or a similarly named function.

- ▶ Most devices automatically search for and display other Bluetooth devices in the area.
 - ▶ The ProD Bluetooth is displayed on the audio source with the name “sentio.BT xxx”.
 - ▶ xxx is the device’s own identification number (e.g. E2D)
4. Select “sentio.BT xxx” from the device list shown on the audio source.
 - ▶ The Bluetooth connection between the audio source and the ProD Bluetooth is established for the first time (= pairing).
 - ▶ The indicator LED 1 on the ProD Bluetooth lights up blue.
 - ▶ The ProD Bluetooth is connected and ready to use.
 5. Play music with the audio player of your audio source.
 - ▶ The music is played from the speakers connected to the ProD Bluetooth.

5.3. Adjusting the volume

Use the Volume Up/Down buttons 4, 5 on the ProD Bluetooth module to adjust the volume.

The volume can be adjusted in 4 levels on the ProD Bluetooth. The maximum volume is reached after pressing the Volume Up button 4 when the indicator LED 1 flashes three times. The minimum volume is reached after pressing the Volume Down button 5 when the indicator LED 1 flashes three times.



If the maximum volume level of the ProD Bluetooth appears too quiet, increase the volume on the audio source. If the minimum volume level of the ProD Bluetooth appears too loud, reduce the volume on the audio source.

5.4. Pausing/resuming music playback

To pause or resume music playback after the interruption, you have the following options:

- Use the Play/Pause button 3 on the ProD Bluetooth.
- Use the Play/Pause button of the audio player of your audio source.

5.5. Selecting songs

You have the following options for selecting a song:

- Use the Forward button 6 on the Bluetooth module.
- Use the Forward/Back buttons on the audio player of your audio source.

5.6. Disconnecting

You have the following options for disconnecting the Bluetooth connection between your audio source (mobile phone, tablet, etc.) and the proD Bluetooth:

- Turn off the Bluetooth function of the audio source.
- Disconnect the connection manually on the audio source.
Follow the operating instructions for your device.

5.7. Re-establishing a connection

The Bluetooth connection between the audio source and the ProD Bluetooth is automatically re-established when

- the audio source was out of range of the ProD Bluetooth.
- The Bluetooth function of the audio source was turned off and you turn it back on again.

If you have manually disconnected the Bluetooth connection between the audio source and ProD Bluetooth at the audio source, you must manually re-establish the Bluetooth connection to the audio source (see **5.2** on page **11**).

5.8. Switching audio sources

Switch to a new (not previously paired) audio source

This is how to pair the ProD Bluetooth with a new audio source:

EN

1. Disconnect the Bluetooth connection between the previous audio source and the ProD Bluetooth. Follow the operating instructions for your device.
 - Press the Play/Pause button 3 on the ProD Bluetooth for 3 seconds. The indicator LED 1 flashes alternately red and blue (pairing mode)
 - ▶ The ProD Bluetooth can now establish a connection to a different audio source for the first time (pairing – see **5.2** on page **11**).



Only one device can be actively connected to the ProD Bluetooth at a time.

Switching to an audio source that was previously paired

The Bluetooth module stores the pairing information of the last eight audio sources. To connect the Bluetooth module to a device it had previously been paired with, you only need to perform the following steps:

1. Disconnect the Bluetooth connection between the previous audio source and the ProD Bluetooth. Follow the operating instructions for your device.
2. Manually establish a Bluetooth connection between the new audio source and Bluetooth module:
 - Select “sentio.BT xxx” from the list of paired devices.



Only one device can be actively connected to the ProD Bluetooth at a time.

5.9. Answering a call while music is playing

An incoming call on the connected device is forwarded to the ProD Bluetooth and signalled by a call tone. If you want to answer the call, briefly press the Forward button 6. The music is then automatically interrupted and resumed after the call.



If the indicator LED flashes purple, the microphone is activated.

5.10. Using voice recognition

Follow the operating instructions for your device. Depending on the activated functions, these can be selected using the built-in microphone of the ProD Bluetooth (e.g. call a contact, answer a call, play the next song on the playlist, create reminders etc.).

1. Press the Forward button 6 for 3 seconds to activate the microphone (push to talk).
 - ▶ The indicator LED 1 on the ProD Bluetooth flashes purple and a signal tone sounds.

6. Cleaning and maintenance

6.1. Cleaning

ATTENTION!

Damage to the unit

The device is protected against splashing water, but direct contact with water could still damage the device.

- NEVER immerse the device in water.
- Never pour water over the unit.
- Do not get the device too wet when cleaning it.
- NEVER clean the back of the device yourself. Have this done by a qualified electrician.
- NEVER remove the housing of the device.

EN

1. Immerse a cleaning cloth in a mild, soapy solution.
2. Wring the cleaning cloth out well.
3. Wipe off the front of the device carefully.

6.2. Maintenance

The ProD Bluetooth needs no maintenance.

7. Disposal



- Please dispose of packaging materials in accordance with the applicable disposal regulations.
- Used units contain reusable materials as well as hazardous substances. Therefore, do not dispose of your used unit with household waste, but rather do so in accordance with the locally applicable regulations.

8. Troubleshooting

<i>Error</i>	<i>Cause</i>	<i>Rectification</i>
An audio source cannot be paired.	The audio source is out of range of the ProD Bluetooth.	Reduce the distance between the audio source and the ProD Bluetooth.
	The ProD Bluetooth is not in pairing mode.	Press the Play/Pause button 3 for 3 seconds. ▶ The indicator LED 1 on the Bluetooth module flashes alternately red and blue (pairing mode).
The Bluetooth connection between an audio source and the ProD Bluetooth cannot be established.	The audio source is out of range of the ProD Bluetooth.	Reduce the distance between the audio source and the ProD Bluetooth.
	The ProD Bluetooth is already connected to another audio source.	Disconnect the connection to this other audio source.
The next track is not played. The Forward button does not work	The ProD Bluetooth sends the command but the audio source cannot process it	Use a different audio source
Microphone cannot be activated despite pressing the Forward button for 3 seconds	The ProD Bluetooth sends the command but the audio source cannot process it	Check the voice input settings on the audio source.

9. Technical data

Ambient conditions

Storage temperature:	-25 °C to +70 °C
Ambient temperature:	0 °C to +100 °C
Relative humidity:	max. 99%
	non-condensing

Dimensions

Dimensions:	79 x 103 x 36.6 mm
Cut-out dimensions	65 x 70 x 35 mm

Cables (temperature resistance at least up to 150 °C)

Connection cable and extension cable	at least 2 x 0.4 mm ²
Speaker cables (max. 3 m):	min. 2 x 0.4 mm ²

Bluetooth

Version:	4.0
Range	up to 30 m

Cables (temperature resistance at least up to 150 °C)

Connection cable and extension cable	at least 2 x 0.4 mm ²
Speaker cables (max. 3 m):	min. 2 x 0.4 mm ²

Connections

- Audio connection for two loudspeakers
- Line-out connector
- Plug-in power supply with adapter

Loudspeakers

Impedance	2 x 8 Ω
RMS power:	2 x 3 W
P.M.P.O. value:	~ 15 W
Temperature resistance	at least 120 °C

- ▶ The use of WC4-BT-SPK or WC4-BT-EXC speakers is recommended, otherwise there may be disturbing noises.

Possible operating systems for the audio source

Android version 1.5 or higher

iPad/iPhone iOS 3.0 or higher

Nokia Symbian

Linux

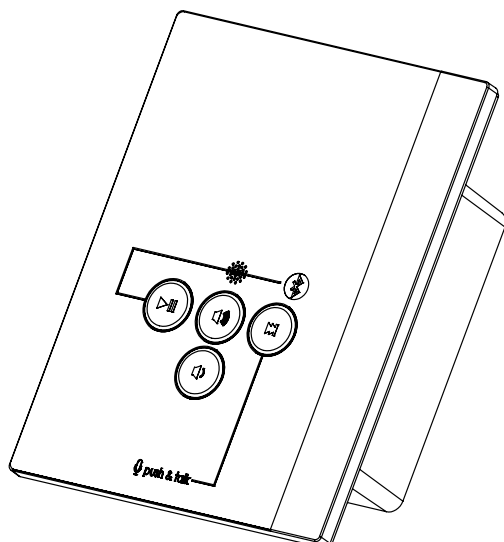
NOTE: Windows 7 does NOT support full functionality. For example, it is not possible to set the volume using the Volume Up / Volume Down buttons on the Bluetooth module.

ProD Bluetooth

PROD-BT-B

MONTAGE- UND GEBRAUCHSANWEISUNG
Deutsch

DE



Inhaltsverzeichnis

1. Zu dieser Anleitung	3
2. Wichtige Hinweise zu Ihrer Sicherheit	4
2.1. Bestimmungsgemäßer Gebrauch	4
2.2. Sicherheitshinweise	4
3. Produktbeschreibung	5
3.1. Lieferumfang	5
3.2. Produktfunktionen	5
4. Montage und Anschluss	7
4.1. Montage vorbereiten	8
4.2. Gerät anschließen	9
4.3. Gerät montieren	9
5. Bedienung	10
5.1. Bedienelement	10
5.2. Erstmalige Verbindung herstellen (Koppeln, Pairing)	11
5.3. Lautstärke einstellen	12
5.4. Musikwiedergabe unterbrechen/fortsetzen	12
5.5. Musiktitel auswählen	12
5.6. Verbindung unterbrechen	12
5.7. Erneute Verbindung herstellen	13
5.8. Audioquelle wechseln	13
5.9. Anruf entgegennehmen während Musikwiedergabe	14
5.10. Spracherkennung nutzen	14
6. Reinigung und Wartung	15
6.1. Reinigung	15
6.2. Wartung	15
7. Entsorgung	15
8. Problemlösung	16
9. Technische Daten	17

1. Zu dieser Anleitung

Lesen Sie diese Montage- und Gebrauchsanweisung gut durch und bewahren Sie sie in der Nähe des Geräts auf. So können Sie jederzeit Informationen zu Ihrer Sicherheit und zur Bedienung nachlesen.



Sie finden diese Montage- und Gebrauchsanweisung auch im Downloadbereich unserer Webseite auf www.mediabank.harvia.com

Symbole

In dieser Montage- und Gebrauchsanweisung werden Symbole und Signalwörter verwendet, die folgende Bedeutungen haben:

ACHTUNG!

Dieses Signalwort warnt Sie vor Sachschäden.



Dieses Symbol kennzeichnet Tipps und nützliche Hinweise.

2. Wichtige Hinweise zu Ihrer Sicherheit

Das Pro D bluetooth-Modul ist nach anerkannten sicherheitstechnischen Regeln gebaut. Dennoch können bei der Verwendung Gefahren entstehen. Befolgen Sie deshalb die folgenden Sicherheitshinweise und die speziellen Warnhinweise in den einzelnen Kapiteln.

2.1. Bestimmungsgemäßer Gebrauch

Das ProD Bluetooth ist ein Audio-Verstärker mit integriertem Mikrofon. Es dient zum Abspielen von Musik von einem bluetooth-fähigem Gerät. Über das integrierte Mikrofon ist Freisprechen und der Zugriff auf einen Sprachassistenten (z.B. Siri, Google Now,...) möglich, soweit das bluetooth-fähige Gerät diese Funktion unterstützt. Bluetooth-fähige Geräte sind u.a. die meisten Mobiltelefone, Tablets oder Notebooks.

Jeder darüber hinausgehende Gebrauch gilt als nicht bestimmungsgemäß. Nicht bestimmungsgemäßer Gebrauch kann zur Beschädigung des Produkts, zu schweren Verletzungen oder Tod führen.

2.2. Sicherheitshinweise

- Montage- und Anschlussarbeiten am Gerät dürfen nur im spannungsfreien Zustand durchgeführt werden.
- Beachten Sie bei der Montage die Vorgaben dieser Bedienungsanleitung, da das Produkt ansonsten beschädigt oder seine Nutzungsdauer verkürzt werden kann.
- Öffnen Sie NIEMALS das Gerät.
- Bei Problemen, die in der Montage- und Gebrauchsanweisung nicht ausführlich genug behandelt werden, wenden Sie sich zu Ihrer eigenen Sicherheit an Ihren Lieferanten.

3. Produktbeschreibung

3.1. Lieferumfang

- ProD Bluetooth
- Steckernetzteil mit Anschlusskabel (1,5 m)
- Verlängerungskabel für die Anschlussleitung zum Steckernetzteil (2 m)
- Montagematerial (4 Stk. Holzschrauben (16 mm), Winkel zum Öffnen des Bedienteils)

3.2. Produktfunktionen

Das ProD Bluetooth ermöglicht, Musik in der Sauna oder in der Infrarotkabine abzuspielen. Die Musik wird dabei über eine Bluetooth-Verbindung von einem bluetooth-fähigem Gerät (=Audio-Quelle) auf das ProD Bluetooth übertragen. Als Audio-Quelle können alle bluetooth-fähigen Geräte, wie die meisten Mobiltelefone, Tablets, Notebooks etc., verwendet werden. Der Verstärker ist im Bluetooth-Modul bereits integriert.

Das integrierte Mikrofon ermöglicht die Sprachsteuerung des bluetooth-fähigen Geräts, soweit dieses diese Funktion unterstützt (z.B. Siri, Google Now,...).

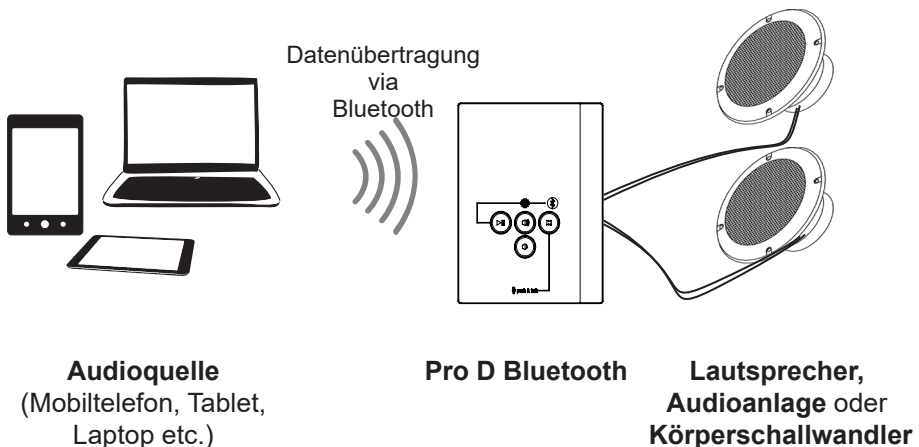


Abb. 1: Produktfunktion

Montageort

Das ProD Bluetooth darf innerhalb und außerhalb der Sauna montiert werden, allerdings müssen die Vorgaben dieser Montage-Anleitung unbedingt beachtet werden (siehe **4. Montage** auf Seite **7** und **11. Technische Daten** auf Seite **17**).

Empfohlenes Zubehör

Zur Musikwiedergabe werden Lautsprecher benötigt. Der Hersteller empfiehlt die Verwendung folgender Produkte:

Artikelnummer	Bezeichnung	Bemerkung
WC4-BT-SPK	Lautsprecher-Set	Für den Einbau in der Saunakabine geeignet
WC4-BT-EXC	Körperschallwandler (Elektromagnetischer Exciter)	Wird außerhalb der Saunakabine montiert Nicht für alle Saunakabinen geeignet (abhängig vom Wandaufbau)

Werden andere Lautsprecher als die aufgelisteten verwendet, können störende Geräusche (Rauschen) auftreten.

Achtung: Bei Verwendung anderer Lautsprecher als WC4-BT-SPK und WC4-BT-EXC besteht bei Problemen bezüglich störender Geräusche (Rauschen) kein Garantieanspruch. Die Anforderungen unter **11. Technische Daten** auf Seite **17** unbedingt beachten.

Wiedergabe über Audioanlage

Das ProD Bluetooth verfügt über einen Line-Out-Ausgang. Damit kann Musik auch auf einer Audioanlage, z.B. der wave.com4 sound&light oder einer Stereoanlage, abgespielt werden, sofern die Stereoanlage über eine 3,5 mm Line-In-Buchse (Aux-In-Buchse) verfügt.

Lautstärkenregelung

Die Lautstärke kann am ProD Bluetooth in 4 Stufen eingestellt werden. Weitere Einstellungen der Lautstärke erfolgen durch die Audio-Quelle (Mobiltelefon, Tablet etc.)

4. Montage und Anschluss

- Wenn Sie folgende Punkte beachten, dürfen Sie das Gerät innerhalb der Sauna montieren:
 - Montieren Sie das Gerät möglichst weit entfernt vom Saunaofen, von Infrarot-Strahlern oder von anderen Wärmequellen.
 - Montieren Sie das Gerät **KEINESFALLS** über oder direkt neben dem Saunaofen oder einer anderen Wärmequelle.
 - Die maximale Montagehöhe in einer Saunakabine beträgt 140 cm.
 - Die maximale Montagehöhe in einer Infrarot-Kabine beträgt 170 cm.
 - Hinter dem Gerät darf sich kein Dämmmaterial (z.B. Mineralwolle) befinden.
 - Die Umgebungsbedingungen (siehe **9. Technische Daten** auf Seite **17**) sind unbedingt einzuhalten.
- Zur Verlängerung des Netzanschlusskabels darf nur das beiliegende Verlängerungskabel verwendet werden.

4.1. Montage vorbereiten

Beachten Sie die Abb. 2

ACHTUNG!

Schäden am Gerät

- Das ProD Bluetooth ist spritzwassergeschützt (Schutzart IPX4).
- Arbeiten am ProD Bluetooth dürfen nur mit einem normlen Schraubendreher durchgeführt werden. Bei Verwendung eines Akkuschraubers besteht die Gefahr, dass das Gehäuse irreparabel beschädigt wird!

1. Schneiden Sie die Montageöffnung mit einer Stichsäge in die Kabinenwand.
2. Die Mindesteinbautiefe für einen Wand-Ausschnitt beträgt 35 mm.
3. Entfernen Sie eventuell vorhandenes Dämmmaterial aus der Montageöffnung.
4. Verlegen Sie das Anschlusskabel in der Wand der Saunakabine zur Montageöffnung und fixieren Sie das Anschlusskabel mit Leitungsschellen.

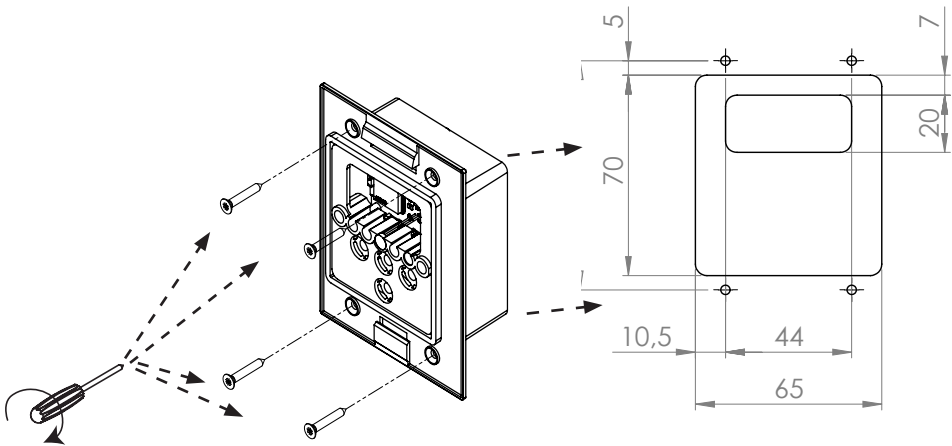


Abb. 2: Montage in Wandausschnitt

R	-	R	+	L	+	L	-	V	+	GND	R	GND	L
SPEAKER				+5V _{DC}		LINE OUT							

Abb. 3: Anschluss des Geräts (Rückseite)

4.2. Gerät anschließen

Beachten Sie die Abb. 3.

1. Schließen Sie das 2-polige Anschlusskabel an den Klemmen mit der Bezeichnung **"5V_{DC}"** an.
 - Stecken Sie dabei das schwarze Kabel in die Klemme mit der Bezeichnung **„GND“** und das rote Kabel in die Klemme mit der Bezeichnung **„V+“** .
2. Verbinden Sie das Kabel mit dem Klinkenstecker des Steckernetzteils.
3. Schließen Sie die Kabel der Lautsprecher (max. 3 m) an den Klemmen mit der Bezeichnung **„SPEAKER“** an: die Kabel des rechten Lautsprechers mit den Klemmen **"R"**, die Kabel des linken Lautsprechers mit den Klemmen **"L"**.
 - Stecken Sie dabei die schwarzen Kabel in die Klemmen mit der Bezeichnung **„-“** und die roten Kabel in die Klemmen mit der Bezeichnung **"+"** .
4. Wenn Sie zur Musikwiedergabe eine Audioanlage verwenden wollen, verbinden Sie den Ausgang **„LINE OUT“** des Bluetooth-Moduls mit der Line-In-Buchse (Aux-In-Buchse) der Audioanlage. Verwenden Sie dazu ein bis 150 °C temperaturbeständiges Kabel (NICHT im Lieferumfang enthalten).

4.3. Gerät montieren

1. Legen Sie das Gerät in die Montageöffnung ein.
2. Schrauben Sie das Gerät durch die Bohrungen mit den vier beiliegenden Holzschrauben an der Kabinenwand fest.
3. Die Frontplatte wird mit leichtem Druck in das Gehäuse eingesteckt. Achten Sie darauf, dass der untere Befestigungshaken spürbar einrastet.

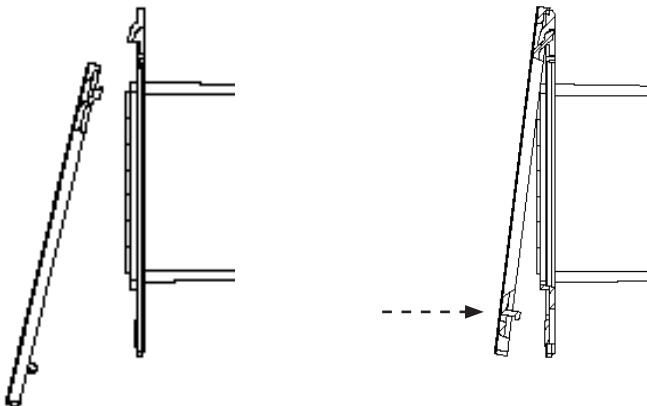
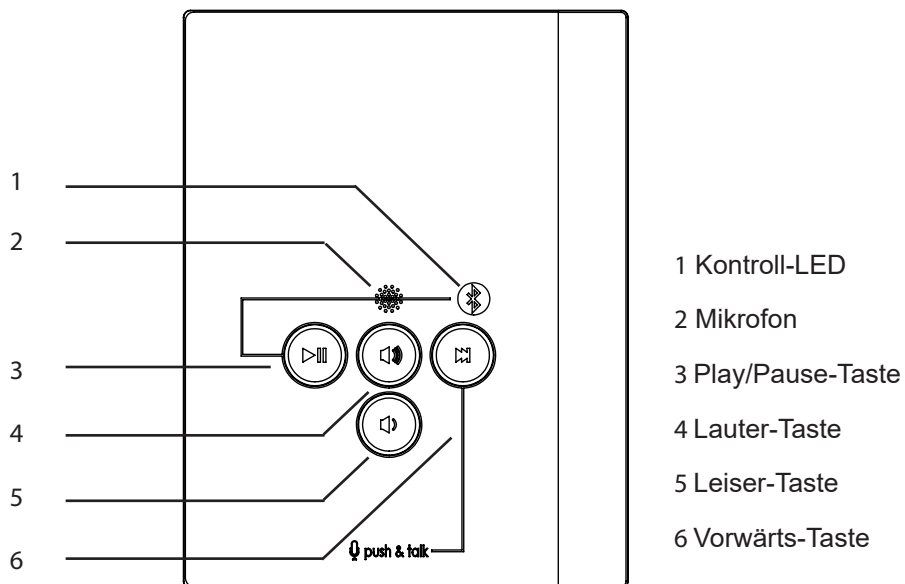


Abb. 4: Montage Frontcover

5. Bedienung

5.1. Bedienelement



5.2. Erstmalige Verbindung herstellen (Koppeln, Pairing)



Beachten Sie unbedingt auch die Bedienungsanleitung Ihrer Audioquelle (Mobiltelefon, Tablet etc.)

1. Stecken Sie das Steckernetzteil des ProD Bluetooth in eine Steckdose (230 V).
 - ▶ Die Kontroll-LED 1 am ProD Bluetooth blinkt abwechselnd rot, blau für ca. 3 Minuten (Koppel-Modus).
 - ▶ Nach dem Koppel-Modus wechselt das ProD Bluetooth in den Standby-Betrieb. Die Kontroll-LED 1 am ProD Bluetooth blinkt langsam blau.
 - ▶ Durch Drücken der Vorwärtstaste für 3 Sekunden gelangen Sie wieder in den Koppel-Modus.
2. Schalten Sie die Audio-Quelle (Mobiltelefon, Tablet etc.) ein.
3. Schalten Sie die Bluetooth-Funktion der Audio-Quelle ein.

Wenn Ihre Audio-Quelle nicht automatisch nach Bluetooth-Geräten in der Umgebung sucht, starten Sie die Suche manuell, z.B. in dem Sie „Nach Geräten suchen“ oder eine ähnlich benannte Funktion wählen.

DE

- ▶ Die meisten Geräte suchen automatisch nach anderen Bluetooth-Geräten in der Umgebung und zeigen diese an.
 - ▶ Das ProD Bluetooth wird an der Audio-Quelle mit der Bezeichnung „sentio.BT xxx“ angezeigt.
 - ▶ xxx ist eine Geräteabhängige Kennnummer (z.B. E2D)
4. Wählen Sie "sentio.BT xxx" aus der Geräteliste aus, die an der Audio-Quelle angezeigt wird.
 - ▶ Die erstmalige Bluetooth-Verbindung zwischen Audio-Quelle und ProD Bluetooth wird hergestellt (= Koppeln/Pairing).
 - ▶ Die Kontroll-LED 1 am ProD Bluetooth leuchtet blau.
 - ▶ Das ProD Bluetooth ist verbunden und betriebsbereit.
 5. Spielen Sie Musik mit dem Audio-Player Ihrer Audio-Quelle ab.
 - ▶ Die Musik wird über die Lautsprecher, die am ProD Bluetooth angeschlossen sind, ausgegeben.

5.3. Lautstärke einstellen

Verwenden Sie die Lauter/Leiser-Tasten 4, 5 am ProD Bluetooth, um die Lautstärke zu verändern.

Die Lautstärke kann am ProD Bluetooth in 4 Stufen eingestellt werden. Die maximale Lautstärke ist erreicht, wenn nach betätigen der Lauter-Taste 4 die Kontroll-LED 1 dreimal blinkt. Die minimale Lautstärke ist erreicht, wenn nach betätigen der Leise-Taste 5 die Kontroll-LED 1 dreimal blinkt.



Wenn Ihnen die maximale Lautstärken-Stufe des ProD Bluetooth zu leise erscheint, erhöhen Sie die Lautstärke an der Audio-Quelle. Wenn Ihnen die niedrigste Lautstärken-Stufe des ProD Bluetooth zu laut erscheint, senken Sie die Lautstärke an der Audio-Quelle.

5.4. Musikwiedergabe unterbrechen/fortsetzen

Um die Musikwiedergabe zu unterbrechen bzw. nach der Unterbrechung wieder fortzusetzen, haben Sie folgende Möglichkeiten:

- Verwenden Sie die Play/Pause-Taste 3 am ProD Bluetooth.
- Verwenden Sie die Play/Pause-Taste des Audio-Players Ihrer Audio-Quelle.

5.5. Musiktitel auswählen

Um einen Musiktitel auszuwählen, haben Sie folgende Möglichkeiten:

- Verwenden Sie die Vorwärts-Taste 6 am Bluetooth-Modul.
- Verwenden Sie die Vorwärts/Rückwärts-Tasten des Audio-Players Ihrer Audio-Quelle.

5.6. Verbindung unterbrechen

Um die Bluetooth-Verbindung zwischen Audioquelle (Mobiltelefon, Tablet etc.) und ProD Bluetooth zu unterbrechen, haben Sie folgende Möglichkeiten:

- Schalten Sie die Bluetooth-Funktion der Audio-Quelle aus.
- Trennen Sie die Verbindung manuell an der Audio-Quelle. Beachten Sie dazu die Bedienungsanleitung Ihres Geräts.

5.7. Erneute Verbindung herstellen

Die Bluetooth-Verbindung zwischen Audio-Quelle und ProD Bluetooth wird automatisch wieder hergestellt, wenn

- sich die Audioquelle außerhalb der Reichweite des ProD Bluetooth befand.
- die Bluetooth-Funktion der Audio-Quelle ausgeschaltet war und Sie sie wieder einschalten.

Wenn Sie die Bluetooth-Verbindung zwischen Audio-Quelle und ProD Bluetooth manuell an der Audioquelle unterbrochen haben, müssen Sie die Bluetooth-Verbindung auch manuell an der Audioquelle wieder herstellen (siehe Punkt **5.2** auf Seite **11**)

5.8. Audioquelle wechseln

Wechseln zu einer neuen (bisher nicht gekoppelten) Audioquelle

Wenn Sie das ProD Bluetooth mit einer neuen Audioquelle koppeln wollen, gehen Sie wie folgt vor:

DE

1. Unterbrechen Sie die Bluetooth-Verbindung zwischen der bisherigen Audio-Quelle und dem ProD Bluetooth. Beachten Sie dazu die Bedienungsanleitung Ihres Geräts.
 - Drücken Sie die Play/Pause-Taste 3 am ProD Bluetooth für 3 Sekunden. Die Kontroll-Led 1 blinkt abwechselnd rot, blau (Koppel-Modus)
 - ▶ Das ProD Bluetooth kann nun eine erstmalige Verbindung zu einer anderen Audioquelle herstellen (Koppeln, Pairing - siehe Punkt **5.2** auf Seite **11**).



Es kann immer nur ein Gerät aktiv mit dem ProD Bluetooth verbunden sein.

Wechseln zu einer bereits gekoppelten Audioquelle

Das Bluetooth-Modul speichert die Kopplungsinformationen von den letzten acht Audioquellen. Um das Bluetooth-Modul mit einem bereits gekoppelten Gerät zu verbinden, müssen Sie deshalb nur folgende Schritte durchführen:

1. Unterbrechen Sie die Bluetooth-Verbindung zwischen der bisherigen Audioquelle und dem ProD Bluetooth. Beachten Sie dazu die Bedienungsanleitung Ihres Geräts.
2. Stellen Sie manuell eine Bluetooth-Verbindung zwischen der neuen Audioquelle und dem Bluetooth-Modul her:
 - Wählen Sie „sentio.BT xxx“ aus der Liste der gekoppelten Geräte aus.



Es kann immer nur ein Gerät aktiv mit dem ProD Bluetooth verbunden sein.

5.9. Anruf entgegennehmen während Musikwiedergabe

Ein eingehender Anruf am verbundenen Gerät wird an das ProD Bluetooth weitergeleitet und durch einen Anruftönen signalisiert. Wenn Sie den Anruf entgegennehmen möchten, drücken Sie kurz die Vorwärts-Taste 6. Dann wird die Musikwiedergabe automatisch unterbrochen und nach dem Telefonat wieder fortgesetzt.



Wenn das Kontroll-LED violett blinkt, ist das Mikrofon aktiviert.

5.10. Spracherkennung nutzen

Beachten Sie die Bedienungsanleitung Ihres Geräts. Je nach aktivierten Funktionen, können diese über das integrierte Mikrofon des ProD Bluetooth gestartet werden (z.B. Kontakt anrufen, Anruf entgegen nehmen, nächsten Musiktitel aus Playlist abspielen, Erinnerungen erstellen,...).

1. Drücken Sie die Vorwärtstaste 6 für 3 Sekunden um das Mikrofon zu aktivieren (push to talk).
 - ▶ Die Kontroll-LED 1 am ProD Bluetooth blinkt violett und Signalton erklingt.

6. Reinigung und Wartung

6.1. Reinigung

ACHTUNG!

Schäden am Gerät

Das Gerät ist spritzwassergeschützt, trotzdem kann direkter Kontakt mit Wasser das Gerät beschädigen.

- Tauchen Sie das Gerät NIEMALS in Wasser.
- Übergießen Sie das Gerät nicht mit Wasser.
- Reinigen Sie das Gerät nicht zu feucht.
- Reinigen Sie die Rückseite des Geräts KEINESFALLS selbst, sondern überlassen Sie dies einer Elektrofachkraft.
- Öffnen Sie NIEMALS das Gehäuse des Geräts

1. Tränken Sie ein Reinigungstuch in milder Seifenlauge.
2. Drücken Sie das Reinigungstuch gut aus.
3. Wischen Sie die Vorderseite des Geräts vorsichtig ab.

DE

6.2. Wartung

Das ProD Bluetooth ist wartungsfrei.

7. Entsorgung



- Entsorgen Sie die Verpackungsmaterialien nach den gültigen Entsorgungsrichtlinien.
- Altgeräte enthalten wiederverwendbare Materialien, aber auch schädliche Stoffe. Geben Sie Ihr Altgerät deshalb auf keinen Fall in den Restmüll, sondern entsorgen Sie das Gerät nach den örtlich geltenden Vorschriften.

8. Problemlösung

<i>Fehler</i>	<i>Ursache</i>	<i>Behebung</i>
Eine Audioquelle kann nicht gekoppelt werden.	Die Audioquelle befindet sich außerhalb der Reichweite des ProD Bluetooth.	Verringern Sie den Abstand zwischen Audioquelle und ProD Bluetooth.
	Das ProD Bluetooth befindet sich nicht im Koppel-Modus.	Drücken Sie die Play/Pause-Taste 3 für 3 Sekunden. ▶ Die Kontroll-LED 1 am Bluetooth-Modul blinkt abwechselnd rot, blau (Koppel-Modus).
Die Bluetooth-Verbindung zwischen einer Audioquelle und dem ProD Bluetooth kann nicht hergestellt werden.	Die Audioquelle befindet sich außerhalb der Reichweite des ProD Bluetooth.	Verringern Sie den Abstand zwischen Audioquelle und dem ProD Bluetooth.
	Das ProD Bluetooth ist bereits mit einer anderen Audioquelle verbunden.	Trennen Sie die Verbindung zu dieser anderen Audioquelle.
Nächster Musiktitel wird nicht abgespielt. Tastendruck „Vorwärts“ funktioniert nicht	Das ProD Bluetooth sendet den Befehl an die Audioquelle, diese kann den Befehl nicht verwerten	Verwenden Sie eine andere Audioquelle
Mikrofon kann nicht aktiviert werden, trotz Tastendruck „Vorwärts“ für 3 Sekunden	Das ProD Bluetooth sendet den Befehl an die Audioquelle, diese kann den Befehl nicht verwerten	Kontrollieren Sie die Einstellungen für Spracheingabe an der Audioquelle.

9. Technische Daten

Umgebungsbedingungen

Lagertemperatur:	-25 °C bis +70 °C
Umgebungstemperatur:	0 °C bis +100 °C
Luftfeuchtigkeit:	max. 99%
	nicht kondensierend

Abmessungen

Abmessungen:	79 x 103 x 36,6 mm
Abmessungen Ausschnitt	65 x 70 x 35 mm

Leitungen (min. bis 150 °C temperaturbeständig)

Anschlussleitung und Verlängerungskabel	min. 2 x 0,4 mm ²
Lautsprecherleitungen (max. 3 m):	min. 2 x 0,4 mm ²

Bluetooth

Version:	4.0
Reichweite	bis zu 30 m

Leitungen (min. bis 150 °C temperaturbeständig)

Anschlussleitung und Verlängerungskabel	min. 2 x 0,4 mm ²
Lautsprecherleitungen (max. 3 m):	min. 2 x 0,4 mm ²

Anschlüsse

Audioanschluss für zwei Lautsprecher
Line-Out-Anschluss
Steckernetzteil mit Adapter

Lautsprecher

Impedanz	2 x 8 Ω
Sinusleistung:	2 x 3 W
P.M.P.O.-Wert:	~ 15 W
Temperaturbeständigkeit	mind. 120 °C

- ▶ Die Verwendung der Lautsprecher WC4-BT-SPK oder WC4-BT-EXC wird empfohlen, da sonst störende Geräusche (Rauschen) auftreten können.

Mögliche Betriebssysteme für die Audioquelle

Android ab Version 1.5

iPad/iPhone ab iOS 3.0

Nokia Symbian

Linux

HINWEIS: Windows 7 unterstützt NICHT den vollen Funktionsumfang. So ist es nicht möglich die Lautstärke über die Lauter/Leiser-Tasten am Bluetooth-Modul einzustellen.

ProD Bluetooth

PROD-BT-B / PROD-BT-W

INSTRUCTIONS DE MONTAGE ET MODE D'EMPLOI
Français

FR

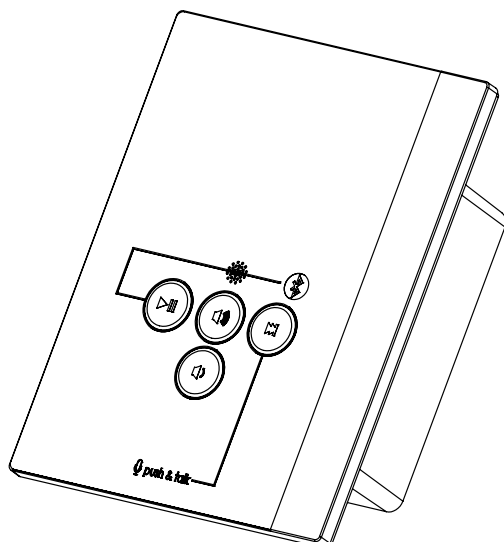


Table des matières

1. Concernant ces instructions	3
2. Remarques importantes pour votre sécurité	4
2.1. Usage conforme	4
2.2. Consignes de sécurité	4
3. Description du produit	5
3.1. Contenu de la livraison	5
3.2. Fonctions du produit	5
4. Montage et raccordement	7
4.1. Préparatifs au montage	8
4.2. Raccordement de l'appareil	9
4.3. Montage de l'appareil	9
5. Utilisation	10
5.1. Élément de commande	10
5.2. Établissement de la première connexion (couplage, pairage)	11
5.3. Réglage du volume sonore	12
5.4. Interruption/reprise de la lecture musicale	12
5.5. Sélection des titres musicaux	12
5.6. Interruption de la connexion	12
5.7. Établissement d'une nouvelle connexion	13
5.8. Changement de source audio	13
5.9. Répondre à un appel pendant la lecture de la musique	14
5.10. Utiliser la reconnaissance vocale	14
6. Nettoyage et entretien	15
6.1. Nettoyage	15
6.2. Entretien	15
7. Élimination	15
8. Dépannage	16
9. Caractéristiques techniques	17

1. Concernant ces instructions

Lisez attentivement les présentes instructions de montage et d'utilisation et gardez-les à proximité de l'appareil. Vous pouvez ainsi consulter à tout moment des informations concernant son utilisation et relatives à votre sécurité.



Vous trouverez ces instructions de montage et ce mode d'emploi également dans la rubrique de téléchargement de notre site Internet www.mediabank.harvia.com

Symboles

Des symboles et termes d'avertissement sont utilisés dans ces instructions de montage et d'utilisation. Ils ont la signification suivante :

ATTENTION !

Ce terme clé vous avertit de dommages matériels éventuels.



Ce symbole désigne les conseils et indications utiles.

2. Remarques importantes pour votre sécurité

Le module Bluetooth Pro D est conçu selon des règles techniques de sécurité reconnues. Cependant, des dangers peuvent survenir lors de l'utilisation. C'est pourquoi vous devez suivre les consignes de sécurité suivantes et les avertissements spécifiques des différents chapitres.

2.1. Usage conforme

Le module Bluetooth Pro D est un amplificateur audio avec microphone intégré. Il permet d'écouter de la musique à partir d'un appareil compatible Bluetooth. Le microphone intégré permet l'utilisation mains libres et l'accès à un assistant vocal (p. ex. Siri, Google Now, ...), à condition que l'appareil compatible Bluetooth supporte cette fonction.

Les appareils compatibles Bluetooth sont, par exemple, la plupart des téléphones portables, tablettes ou ordinateurs portables.

Toute autre utilisation est considérée comme un usage non conforme.

Un usage non conforme peut endommager le produit et provoquer de graves blessures, voire la mort.

2.2. Consignes de sécurité

- Les travaux de montage et de raccordement de l'appareil doivent être effectués uniquement lorsque l'appareil n'est pas sous tension.
- Lors du montage, tenez compte des prescriptions des présentes instructions d'utilisation, le produit pourrait sinon être endommagé ou sa durée d'utilisation être réduite.
- N'ouvrez JAMAIS l'appareil.
- Si certains problèmes ont été insuffisamment traités dans les instructions de montage et d'utilisation, adressez-vous à votre fournisseur pour votre propre sécurité.

3. Description du produit

3.1. Contenu de la livraison

- ProD Bluetooth
- Bloc d'alimentation enfichable avec câble de raccordement (1,5 m)
- Câble de rallonge pour la ligne de raccordement vers le bloc d'alimentation enfichable (2 m)
- Matériel de montage (4 vis à bois (16 mm), outil d'ouverture de l'unité de commande)

3.2. Fonctions du produit

Le Bluetooth ProD permet de lire de la musique dans le sauna ou dans la cabine à infrarouge. La musique est alors transmise au Bluetooth ProD, via une connexion Bluetooth, à partir d'un appareil compatible Bluetooth (= source audio). Tous les appareils compatibles Bluetooth, comme la plupart des téléphones portables, tablettes, ordinateurs portables, etc. peuvent être utilisés comme source audio. L'amplificateur est déjà intégré dans le module Bluetooth.

Le microphone intégré permet la commande vocale de l'appareil compatible Bluetooth, à condition qu'il supporte cette fonction (p. ex. Siri, Google Now, ...).

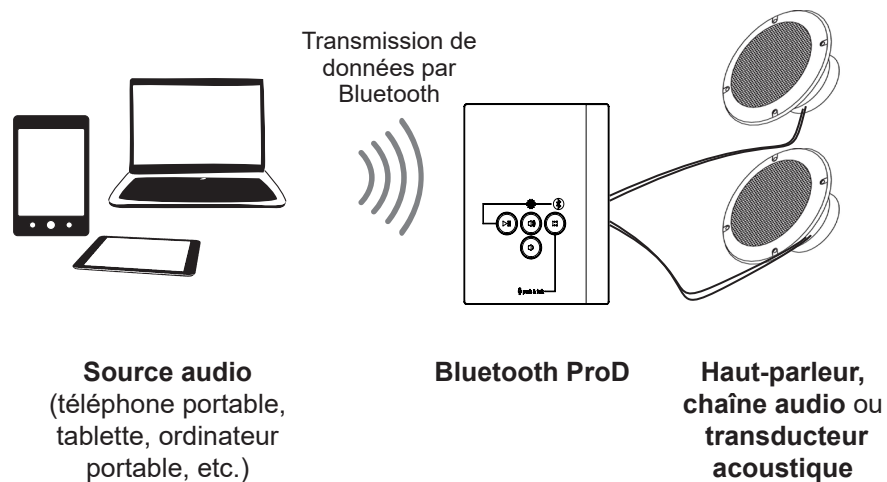


Figure 1 : Fonction du produit

Lieu de montage

Le Bluetooth ProD peut être monté à l'intérieur et à l'extérieur du sauna. Ceci dit, les consignes des présentes instructions de montage doivent être impérativement respectées (voir **4. Montage et raccordement** à la page 7 et **9. Caractéristiques techniques** à la page 17).

Accessoires recommandés

Des haut-parleurs sont nécessaires pour lire la musique. Le fabricant recommande l'utilisation des produits suivants :

Numéro de produit	Désignation	Remarque
WC4-BT-SPK	Jeu de haut-parleurs	Adapté au montage dans la cabine de sauna
WC4-BT-EXC	Subwoofer (exciter électromagnétique)	Se monte hors de la cabine de sauna Ne convient pas pour toutes les cabines de sauna (selon la structure des parois)

Si d'autres haut-parleurs que ceux énumérés sont utilisés, des bruits gênants (bruissement) peuvent se produire.

Attention : en cas d'utilisation d'autres haut-parleurs que les WC4-BT-SPK et WC4-BT-EXC, aucun droit à la garantie n'est valable en cas de problèmes concernant des bruits gênants (bruissement). Les exigences de la rubrique **9. Caractéristiques techniques** à la page 17 doivent être respectées.

Lecture par une chaîne audio

Le Bluetooth ProD dispose d'une sortie Line Out. Cela permet de passer de la musique sur une chaîne audio, p. ex. la wave.com4 sound&light ou sur une chaîne stéréo, si la chaîne stéréo dispose d'une douille Line In de 3,5 mm (douille Aux In).

Réglage du volume sonore

Le volume se règle selon 4 niveaux sur le Bluetooth ProD. D'autres réglages de volume s'effectuent directement sur la source audio (téléphone portable, tablette, etc.).

4. Montage et raccordement

- Si vous respectez les points suivants, vous pouvez monter l'appareil à l'intérieur du sauna :
 - Montez l'appareil aussi loin que possible du poêle du sauna, des émetteurs infrarouges ou d'autres sources de chaleur.
 - Ne montez EN AUCUN CAS l'appareil au-dessus ou directement à côté du poêle du sauna ou d'autres sources de chaleur.
 - La hauteur maximale d'installation dans une cabine de sauna est de 140 cm.
 - La hauteur maximale d'installation dans une cabine infrarouge est de 170 cm.
 - Aucun matériau d'isolation (p. ex. laine minérale) ne doit se trouver derrière l'appareil.
 - Les conditions ambiantes (voir **9. Caractéristiques techniques** à la page **17**) doivent être impérativement respectées.
- Seul le câble de rallonge fourni doit être utilisé pour rallonger le câble de raccordement au secteur.

4.1. Préparatifs au montage

Tenez compte de la **Figure 2**.

ATTENTION !

Endommagement de l'appareil

- Le Bluetooth ProD est protégé contre les projections d'eau (classe de protection IPX4).
- Utilisez un tournevis manuel pour travailler sur le module Bluetooth ProD. L'utilisation d'un tournevis électrique peut provoquer un endommagement irréversible du boîtier !

1. Découpez l'ouverture de montage dans le mur de la cabine à l'aide d'une scie sauteuse.
2. La profondeur de montage minimale pour une découpe murale est de 35 mm.
3. Retirez le matériau d'isolation éventuellement présent dans l'ouverture de montage.
4. Posez le câble de raccordement dans la paroi de la cabine du sauna, vers l'ouverture de montage, et fixez le câble de raccordement avec des serre-câbles.

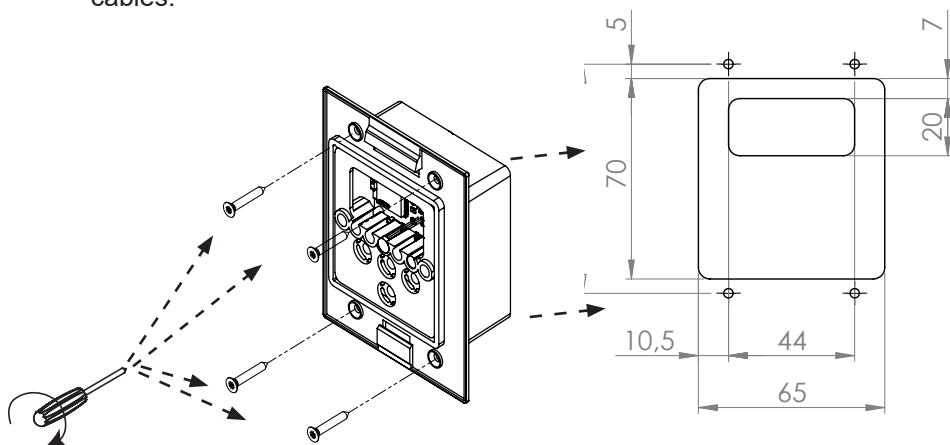


Figure 2 : Montage dans une découpe murale

R	-	R	+	L	+	L	-	V	+	GND	R	GND	L
SPEAKER				+5V _{DC}		LINE OUT							

Figure 3 : Raccordement de l'appareil (vue de dos)

4.2. Raccordement de l'appareil

Tenez compte de la **Figure 3**.

1. Enfichez le câble de raccordement à 2 pôles dans les bornes portant la désignation « **5V_{DC}** ».
 - Ce faisant, enfichez le câble noir dans la borne marquée « **GND** » et le câble rouge dans la borne marquée « **V+** ».
2. Connectez le câble à la fiche jack du bloc d'alimentation.
3. Raccordez les câbles des haut-parleurs (max. 3 m) aux bornes « **SPEAKER** » : les câbles du haut-parleur de droite aux bornes « **R** », les câbles du haut-parleur de gauche aux bornes « **L** ».
 - Ce faisant, enfichez les câbles noirs dans les bornes portant la désignation « **-** » et les câbles noirs dans les bornes portant la désignation « **+** ».
4. Si vous souhaitez utiliser une chaîne audio pour passer de la musique, raccordez la sortie « **LINE OUT** » du module Bluetooth à la douille Line In (douille Aux In) de la chaîne audio. Utilisez un câble résistant à des températures allant jusqu'à 150 °C (NON inclus dans la livraison).

4.3. Montage de l'appareil

1. Placez l'appareil dans l'ouverture de montage.
2. Vissez l'appareil dans les trous du mur de la cabine, à l'aide des quatre vis à bois fournies.
3. Enfoncez la plaque avant dans le boîtier en exerçant une légère pression. Veillez à ce que le crochet de fixation inférieur s'emboîte bien.

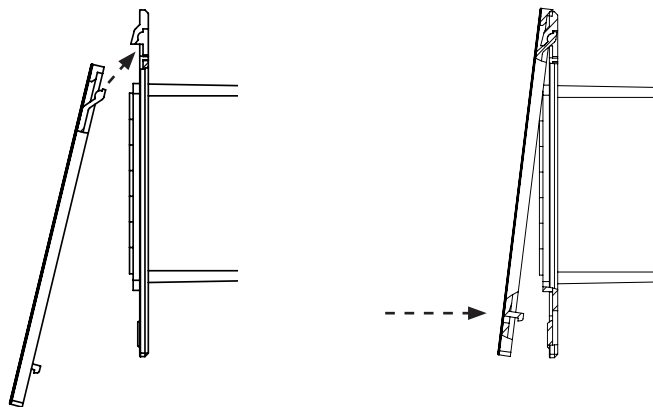
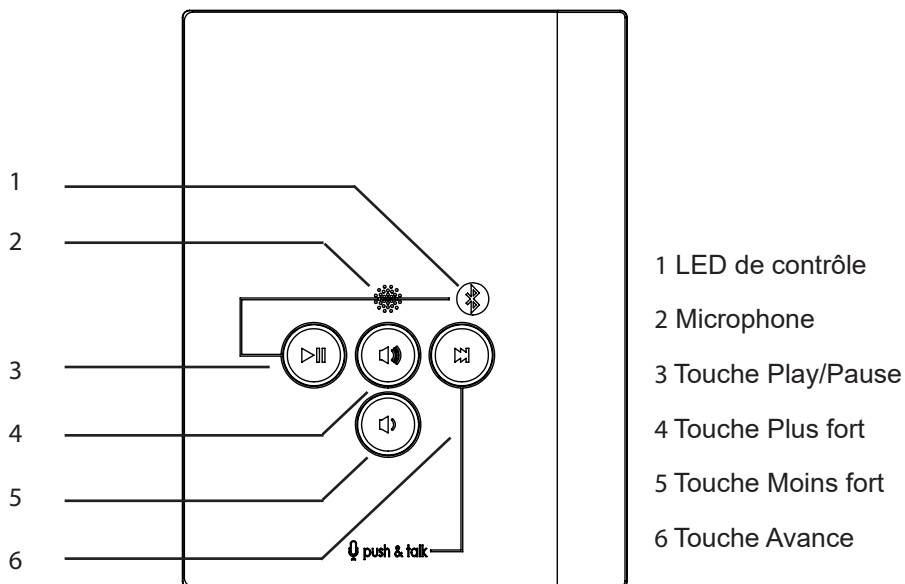


Figure 4 : Montage dans la façade avant

5. Utilisation

5.1. Élément de commande



5.2. Établissement de la première connexion (couplage, pairage)



Tenez également impérativement compte des instructions d'utilisation de votre source audio (téléphone portable, tablette, etc.).

1. Enfichez le bloc d'alimentation enfichable du Bluetooth ProD dans une prise (230 V).
 - ▶ La LED de contrôle 1 du Bluetooth ProD clignote alternativement en rouge et bleu pendant environ 3 minutes (mode de couplage).
 - ▶ Après le mode de couplage, le module Bluetooth ProD passe en mode veille. La LED de contrôle 1 du Bluetooth ProD clignote lentement en bleu.
 - ▶ En appuyant pendant 3 secondes sur la touche Avance, vous revenez au mode de couplage.

Si votre source audio ne cherche pas automatiquement les appareils Bluetooth dans l'entourage, démarrez la recherche manuellement, par ex. en sélectionnant « Recherche d'appareils » ou une fonction désignée de manière similaire.

2. Allumez la source audio (téléphone portable, tablette, etc.).
3. Activez la fonction Bluetooth de la source audio.
 - ▶ La plupart des appareils recherchent automatiquement d'autres appareils Bluetooth dans l'environnement et les affichent.
 - ▶ Le Bluetooth ProD est affiché sur la source audio avec la désignation « sentio.BT xxx ».
 - ▶ xxx est une référence qui dépend de l'appareil (p. ex. E2D)
4. Sélectionnez « sentio.BT xxx » dans la liste d'appareils affichée sur la source audio.
 - ▶ La première connexion Bluetooth entre la source audio et le Bluetooth ProD est établie (= couplage/pairage).
 - ▶ La LED de contrôle 1 du Bluetooth ProD s'allume en bleu.
 - ▶ Le Bluetooth ProD est connecté et prêt à fonctionner.
5. Lisez la musique avec le lecteur audio de votre source audio.
 - ▶ La musique est diffusée par les haut-parleurs raccordés au Bluetooth ProD.

5.3. Réglage du volume sonore

Utilisez les touches Plus fort/Moins fort 4, 5 au niveau du Bluetooth ProD pour modifier le volume sonore.

Le volume se règle selon 4 niveaux sur le Bluetooth ProD. Le volume maximum est atteint lorsque la LED de contrôle 1 clignote trois fois après actionnement de la touche de volume Plus fort 4. Le volume minimum est atteint lorsque la LED de contrôle 1 clignote trois fois après actionnement de la touche de volume Moins fort 5.



Si même le niveau sonore maximal du module Bluetooth ProD vous semble trop faible, augmentez le volume sonore sur la source audio. Si même le niveau sonore minimal du module Bluetooth ProD vous semble trop élevé, diminuez le volume sonore sur la source audio.

5.4. Interruption/reprise de la lecture musicale

Pour interrompre la lecture musicale et pour la reprendre après l'interruption, vous avez les possibilités suivantes :

- Utilisez la touche Play/Pause 3 du module Bluetooth ProD.
- Utilisez la touche Play/Pause du lecteur audio de votre source audio.

5.5. Sélection des titres musicaux

Pour sélectionner un titre musical, vous avez les possibilités suivantes :

- Utilisez la touche Avance 6 du module Bluetooth.
- Utilisez les touches Avance/Retour du lecteur audio de votre source audio.

5.6. Interruption de la connexion

Pour interrompre la connexion Bluetooth entre la source audio (téléphone portable, tablette, etc.) et le module Bluetooth ProD, vous avez les possibilités suivantes :

- Désactivez la fonction Bluetooth de la source audio.
- Coupez manuellement la connexion au niveau de la source audio. Pour ce faire, conformez-vous au mode d'emploi de votre appareil.

5.7. Établissement d'une nouvelle connexion

La connexion Bluetooth entre la source audio et le Bluetooth ProD est automatiquement rétablie si

- la source audio se trouvait hors de portée du Bluetooth ProD.
- la fonction Bluetooth de la source audio était désactivée et que vous la réactivez.

Si vous avez interrompu manuellement la connexion Bluetooth entre la source audio et le module Bluetooth ProD au niveau de la source audio, vous devez rétablir la connexion Bluetooth manuellement au niveau de la source audio (voir point **5.2** à la page **11**)).

5.8. Changement de source audio

Changement vers une nouvelle source audio (pas encore couplée)

Si vous voulez connecter le module Bluetooth ProD à une nouvelle source audio, procédez de la manière suivante :

1. Interrompez la connexion Bluetooth entre la source audio connectée jusqu'alors et le module ProD Bluetooth. Pour ce faire, conformez-vous au mode d'emploi de votre appareil.
 - Appuyez sur la touche Play/Pause 3 du module Bluetooth ProD pendant 3 secondes. La LED de contrôle 1 clignote alternativement en rouge et bleu (mode couplage)
 - ▶ Le module Bluetooth ProD peut alors établir une première connexion à une autre source audio (couplage, pairage - voir point **5.2** à la page **11**).



Un seul appareil à la fois peut être connecté activement au Bluetooth ProD.

Passage à une source audio déjà couplée

Le module Bluetooth enregistre les informations de couplage des huit dernières sources audio. Pour connecter le module Bluetooth à un appareil déjà couplé, vous ne devez donc procéder qu'aux étapes suivantes :

1. Interrompez la connexion Bluetooth entre la source audio connectée jusqu'alors et le module Bluetooth ProD. Pour ce faire, conformez-vous au mode d'emploi de votre appareil.
2. Établissez une connexion Bluetooth entre la nouvelle source audio et le module Bluetooth :
 - Sélectionnez « sentio.BT xxx » dans la liste des appareils couplés.



Un seul appareil à la fois peut être connecté activement au Bluetooth ProD.

5.9. Répondre à un appel pendant la lecture de la musique

Un appel entrant sur l'appareil connecté est renvoyé vers le Bluetooth ProD et signalé par une tonalité d'appel. Si vous souhaitez répondre à l'appel, appuyez brièvement sur la touche Avance 6. La lecture de la musique est alors automatiquement interrompue et reprend après l'appel.



Si la LED de contrôle clignote en violet, le microphone est activé.

5.10. Utiliser la reconnaissance vocale

Conformez-vous au mode d'emploi de votre appareil. Selon les fonctions activées, celles-ci peuvent être démarrées via le microphone intégré du Bluetooth ProD (p. ex. appeler un contact, répondre à un appel, écouter la chanson suivante de la liste de lecture, créer des rappels, ...).

1. Appuyez sur la touche Avance 6 pendant 3 secondes pour activer le microphone (push to talk).
 - La LED de contrôle 1 du Bluetooth ProD clignote en violet et un bip retentit.

6. Nettoyage et entretien

6.1. Nettoyage

ATTENTION !

Endommagement de l'appareil

L'appareil est protégé contre les projections d'eau, mais un contact direct avec de l'eau peut quand même endommager l'appareil.

- Ne plongez JAMAIS l'appareil dans l'eau.
- Ne versez JAMAIS d'eau sur l'appareil.
- Ne nettoyez pas l'appareil avec trop d'eau.
- NE nettoyez EN AUCUN CAS l'arrière de votre appareil vous-même, faites-le faire par un électricien spécialisé.
- N'ouvrez JAMAIS le bâti de l'appareil

1. Imbibez un chiffon de savon doux.
2. Essorez bien le chiffon.
3. Essuyez l'avant de l'appareil avec précaution.

6.2. Entretien

Le Bluetooth ProD ne nécessite aucun entretien.

7. Élimination



- Éliminez les matériaux d'emballage conformément aux directives en vigueur relatives à l'élimination.
- Les appareils usagés contiennent des matériaux recyclables, mais aussi des substances toxiques. Par conséquent, ne jetez en aucun cas votre appareil usagé avec les déchets ménagers. Éliminez-le conformément aux directives locales en vigueur.

8. Dépannage

<i>Erreur</i>	<i>Cause</i>	<i>Solution</i>
Une source audio ne peut être couplée.	La source audio se trouve hors de portée du module Bluetooth ProD.	Réduisez la distance entre la source audio et le Bluetooth ProD.
	Le Bluetooth ProD n'est pas en mode couplage.	Appuyez sur la touche Play/Pause 3 secondes. ► La LED de contrôle 1 du module Bluetooth clignote alternativement en rouge et bleu (mode couplage)
La connexion Bluetooth entre une source audio et le Bluetooth ProD ne peut pas être établie.	La source audio se trouve hors de portée du module Bluetooth ProD.	Réduisez la distance entre la source audio et le Bluetooth ProD.
	Le Bluetooth ProD est déjà connecté à une autre source audio.	Coupez la connexion avec cette autre source audio.
Impossible de passer le titre suivant La pression de la touche « Avance » ne fonctionne pas	Le Bluetooth ProD envoie l'ordre à la source audio, qui ne peut pas l'exécuter	Utilisez une autre source audio
Le microphone ne peut pas être activé malgré une pression de 3 secondes sur la touche « Avance ».	Le Bluetooth ProD envoie l'ordre à la source audio, qui ne peut pas l'exécuter	Vérifiez les réglages de saisie vocale sur la source audio.

9. Caractéristiques techniques

Conditions ambiantes

Température de stockage :	de -25 °C à +70 °C
Température ambiante :	de 0 °C à +100 °C
Humidité de l'air :	max. 99%
	sans condensation

Dimensions

Dimensions :	79 x 103 x 36,6 mm
Dimensions découpe	65 x 70 x 35 mm

Lignes (résistent à des températures d'au moins 150 °C)

Conduite de raccordement et câble de rallonge	au moins 2 x 0,4 mm ²
Lignes pour haut-parleurs (max. 3 m) :	min. 2 x 0,4 mm ²

Bluetooth

Version :	4.0
Portée	jusqu'à 30 m

Lignes (résistent à des températures d'au moins 150 °C)

Conduite de raccordement et câble de rallonge	au moins 2 x 0,4 mm ²
Lignes pour haut-parleurs (max. 3 m) :	min. 2 x 0,4 mm ²

Raccordements

- Raccordement audio pour deux haut-parleurs
- Raccordement Line-Out
- Bloc d'alimentation enfichable avec adaptateur

Haut-parleurs

Impédance	2 x 8 Ω
Puissance sinusoïdale :	2 x 3 W
Valeur P.M.P.O. :	~ 15 W
Résistance à la température	au moins 120 °C

► L'utilisation des haut-parleurs WC4-BT-SPK ou WC4-BT-EXC est recommandée, sinon des bruits gênants (bruissement) peuvent se produire.

 Systèmes d'exploitation possibles pour la source audio

Android à partir de la version 1.5

iPad/iPhone à partir d'iOS 3.0

Nokia Symbian

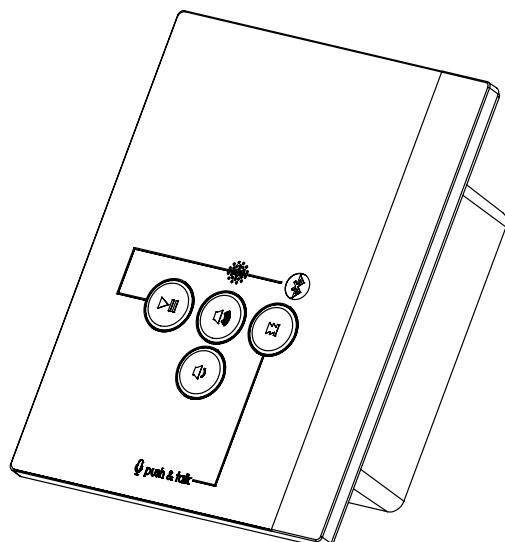
Linux

REMARQUE : Windows 7 NE supporte PAS l'ensemble des fonctionnalités. Il n'est par exemple pas possible de régler le volume sonore à l'aide des touches Plus fort /Moins fort du module Bluetooth.

ProD Bluetooth

PROD-BT-B / PROD-BT-W

ISTRUZIONI DI MONTAGGIO E PER L'USO
Italiano



IT

Indice

1. Informazioni sul presente manuale	3
2. Importanti indicazioni per la sicurezza personale	4
2.1. Conformità d'uso	4
2.2. Indicazioni di sicurezza	4
3. Descrizione del prodotto	5
3.1. Dotazione	5
3.2. Funzioni del prodotto	5
4. Montaggio e collegamento	7
4.1. Preparazione del montaggio	8
4.2. Collegamento dell'apparecchio	9
4.3. Montaggio dell'apparecchio	9
5. Utilizzo	10
5.1. Elemento di comando	10
5.2. Primo collegamento (pairing)	11
5.3. Impostazione del volume	12
5.4. Interruzione/continuazione della riproduzione musicale	12
5.5. Selezione della traccia	12
5.6. Interruzione del collegamento	12
5.7. Nuovo collegamento	13
5.8. Come passare a un'altra fonte audio	13
5.9. Risposta alla chiamata durante la riproduzione musicale	14
5.10. Utilizzo del riconoscimento vocale	14
6. Pulizia e manutenzione	15
6.1. Pulizia	15
6.2. Manutenzione	15
7. Smaltimento	15
8. Risoluzione dei problemi	16
9. Specifiche tecniche	17

1. Informazioni sul presente manuale

Leggere attentamente le presenti istruzioni di montaggio e per l'uso e conservarle vicino all'apparecchio. Così facendo è possibile controllare in ogni momento le informazioni sulla sicurezza e sull'utilizzo.



Le presenti istruzioni di montaggio e per l'uso si trovano anche nell'area di download della nostra pagina web all'indirizzo: www.mediabank.harvia.com

Simboli

Nelle presenti istruzioni di montaggio e per l'uso vengono utilizzati simboli e pittogrammi che hanno i seguenti significati:

ATTENZIONE!

Questo pittogramma avverte della possibilità di danni a beni materiali.



Questo simbolo indica consigli e indicazioni utili.

2. Importanti indicazioni per la sicurezza personale

Il modulo ProD Bluetooth è realizzato secondo le norme di sicurezza riconosciute. Tuttavia, durante l'utilizzo possono presentarsi pericoli. Osservare pertanto le seguenti indicazioni di sicurezza e le avvertenze speciali riportate nei singoli capitoli.

2.1. Conformità d'uso

Il ProD Bluetooth è un amplificatore audio con microfono integrato. Viene utilizzato per riprodurre musica da un dispositivo abilitato al Bluetooth. Il microfono integrato consente di parlare in viva voce e di accedere a un assistente vocale (ad es. Siri, Google Now ecc.) purché l'apparecchio abilitato al Bluetooth supporti questa funzione. Dispongono della funzione Bluetooth, tra le altre cose, la maggior parte dei telefoni cellulari, tablet e notebook.

Qualsiasi altro utilizzo è considerato improprio. Un utilizzo improprio può causare danni al prodotto e lesioni gravi o mortali.

2.2. Indicazioni di sicurezza

- I lavori di montaggio e connessione dell'apparecchio possono essere eseguiti solo in assenza di tensione.
- Durante il montaggio osservare le indicazioni di questo manuale di montaggio, dal momento che altrimenti si potrebbe danneggiare il prodotto o la sua durata di vita utile potrebbe ridursi.
- Non aprire MAI l'apparecchio.
- Qualora si presentassero problemi non trattati in modo esaustivo nelle istruzioni di montaggio e d'uso, per la vostra sicurezza, vi preghiamo di rivolgervi al vostro fornitore.

3. Descrizione del prodotto

3.1. Dotazione

- ProD Bluetooth
- Alimentatore a spina con cavo di collegamento (1,5 m)
- Cavo di prolunga per il cavo di alimentazione dell'alimentatore a spina (2 m)
- Materiale di montaggio (4 viti per legno di 16 mm, angolo di apertura dell'unità di comando)

3.2. Funzioni del prodotto

Il ProD Bluetooth consente di ascoltare musica in sauna o nella cabina a raggi infrarossi. La musica viene trasmessa al ProD Bluetooth mediante un collegamento Bluetooth da un apparecchio abilitato al Bluetooth (= fonte audio). Come fonte radio è possibile utilizzare qualsiasi apparecchio Bluetooth, come la maggior parte dei cellulari, tablet, notebook, ecc. L'amplificatore è già integrato nel modulo Bluetooth.

Il microfono integrato consente il controllo vocale del dispositivo abilitato al Bluetooth, a condizione che esso supporti questa funzione (ad es. Siri, Google Now ecc.).

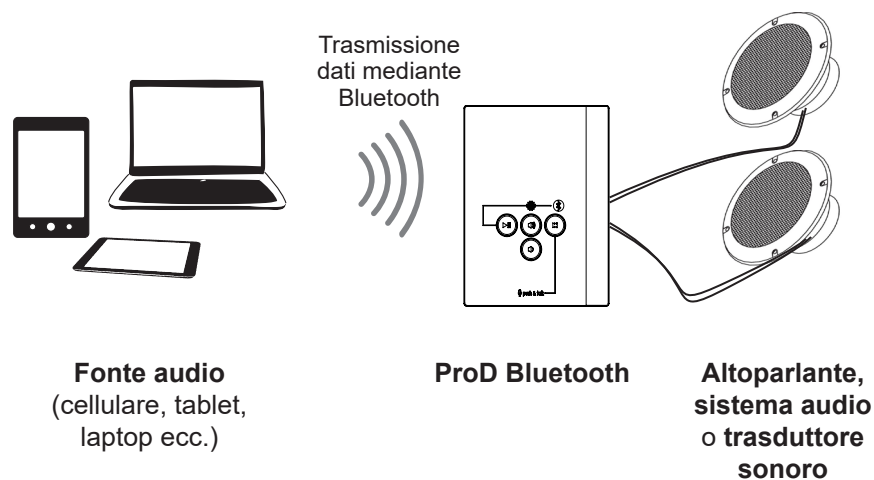


Figura 1: Funzione del prodotto

Luogo di montaggio

Il ProD Bluetooth può essere montato all'interno e all'esterno della sauna, tuttavia devono essere sempre osservate le indicazioni riportate nel presente manuale di montaggio (vedi **4. Montaggio e collegamento** a pag. **7** e **9. Specifiche tecniche** a pag. **17**).

Accessori consigliati

Per la riproduzione musicale sono necessari altoparlanti. Il produttore consiglia l'uso dei seguenti prodotti:

<i>Numero articolo</i>	<i>Denominazione</i>	<i>Osservazione</i>
WC4-BT-SPK	Set altoparlanti	Adatto al montaggio nella cabina della sauna
WC4-BT-EXC	Trasduttore sonoro (eccitatore elettromagnetico)	Viene montato all'esterno della cabina Non adatto a tutti i tipi di cabina della sauna (a seconda della parete)

L'impiego di altoparlanti diversi rispetto a quelli consigliati può causare rumori fastidiosi (fruscio).

Attenzione: se si utilizzano altoparlanti diversi da WC4-BT-SPK e WC4-BT-EXC, in caso di problemi di rumori fastidiosi (fruscio), non vale più il diritto di garanzia. Rispettare tassativamente i requisiti elencati **9. Specifiche tecniche** a pag. **17**.

Riproduzione musicale mediante l'impianto audio

Il ProD Bluetooth dispone di un'uscita Line Out. In questo modo è possibile riprodurre musica da un sistema audio, ad es. wave.com4 sound&light o da un impianto stereo, se questo dispone di una presa Line In di 3,5 mm (presa Aux In).

Regolazione del volume

Nel ProD Bluetooth il volume può essere regolato su 4 livelli. Altre regolazioni del volume avvengono mediante la fonte audio (telefono cellulare, tablet ecc.)

4. Montaggio e collegamento

- Se si osservano i seguenti punti, si può montare l'apparecchio all'interno della sauna:
 - Montare l'apparecchio il più lontano possibile dalla stufa della sauna, dall'irradiatore di raggi infrarossi o da altre fonti di calore.
 - Non montare MAI l'apparecchio al di sopra o nelle dirette vicinanze della stufa della sauna o di altre fonti di calore.
 - L'altezza massima di montaggio in una cabina della sauna è di 140 cm.
 - L'altezza massima di montaggio in una cabina a raggi infrarossi è di 170 cm.
 - Dietro l'apparecchio non deve esserci materiale isolante (ad es. lana minerale).
 - Attenersi assolutamente alle condizioni ambientali (vedi **9. Specifiche tecniche** a pag. **17**).
- Per prolungare il cavo di rete, utilizzare solo il cavo di prolunga in dotazione.

4.1. Preparazione del montaggio

Osservare **Figura 2**.

ATTENZIONE!

Danni all'apparecchio

- Il ProD Bluetooth dispone di una protezione antispruzzo (tipo di protezione IPX4).
- I lavori sul ProD Bluetooth devono essere eseguiti soltanto con un comune cacciavite. L'utilizzo di avvitatori a batteria comporta il pericolo di danneggiamento irreparabile dell'alloggiamento!

1. Tagliare l'apertura di montaggio con una sega a gattuccio nella parete della cabina.
2. La profondità minima di installazione per un'apertura della parete è di 35 mm.
3. Eliminare dall'apertura di montaggio eventuale materiale isolante.
4. Posare il cavo di collegamento nella parete della cabina della sauna verso l'apertura di montaggio e fissare il cavo di collegamento con fascette serracavi.

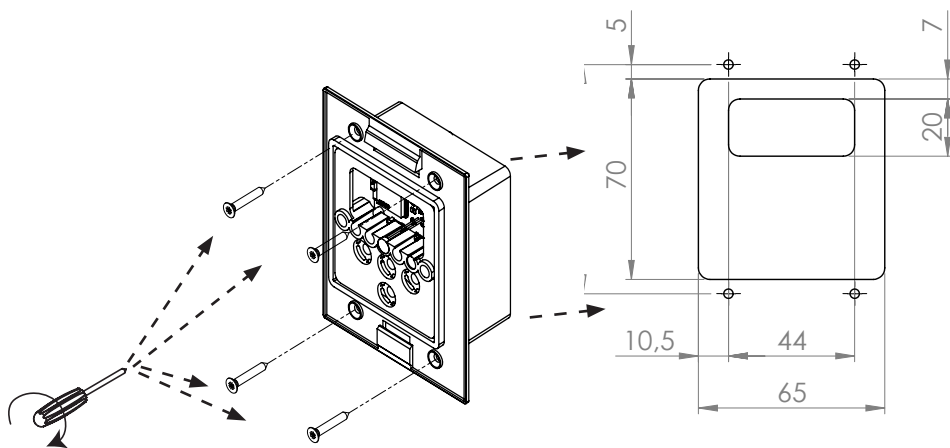


Figura 2: Montaggio nell'apertura della parete

R-	R+	L+	L-	V+	GND	R	GND	L
SPEAKER			+5V _{DC}		LINE OUT			

Figura 3: Collegamento dell'apparecchio (lato posteriore)

4.2. Collegamento dell'apparecchio

Osservare **Figura 3**.

1. Collegare il cavo di collegamento a 2 poli ai morsetti con il contrassegno "**5V_{DC}**".
 - Inserire a questo punto il cavo nero nel morsetto con il contrassegno "**GND**" e il cavo rosso nel morsetto con il contrassegno "**V+**".
2. Collegare il cavo con il connettore jack dell'alimentatore a spina.
3. Collegare i cavi degli altoparlanti (max 3 m) ai morsetti con il contrassegno "**SPEAKER**": i cavi dell'altoparlante destro con i morsetti "**R**", i cavi dell'altoparlante sinistro con i morsetti "**L**".
 - Inserire a questo punto i cavi neri nei morsetti con il contrassegno "**-**" e i cavi rossi nei morsetti con il contrassegno "**+**".
4. Se per la riproduzione musicale si desidera utilizzare un sistema audio, collegare l'uscita "**LINE OUT**" del modulo Bluetooth alla presa Line In (presa Aux In) del sistema audio. Utilizzare a questo scopo un cavo resistente a temperature fino a 150 °C (NON compreso nella fornitura).

4.3. Montaggio dell'apparecchio

1. Inserire l'apparecchio nell'apertura di montaggio.
2. Avvitare l'apparecchio alla parete della cabina inserendo nei fori le quattro viti per legno in dotazione.
3. La piastra frontale viene inserita nell'alloggiamento con una leggera pressione. Fare attenzione a far scattare in modo avvertibile il gancio di fissaggio inferiore.

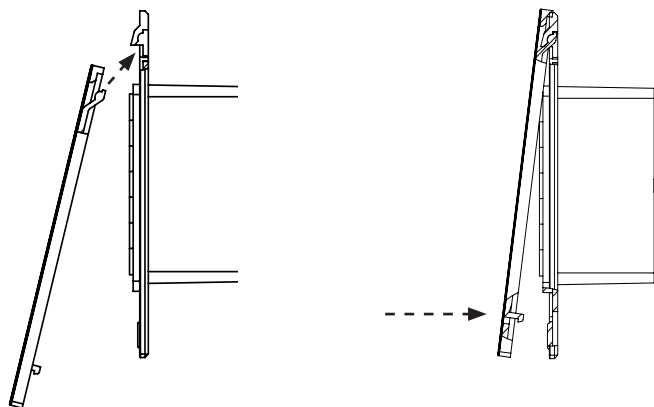
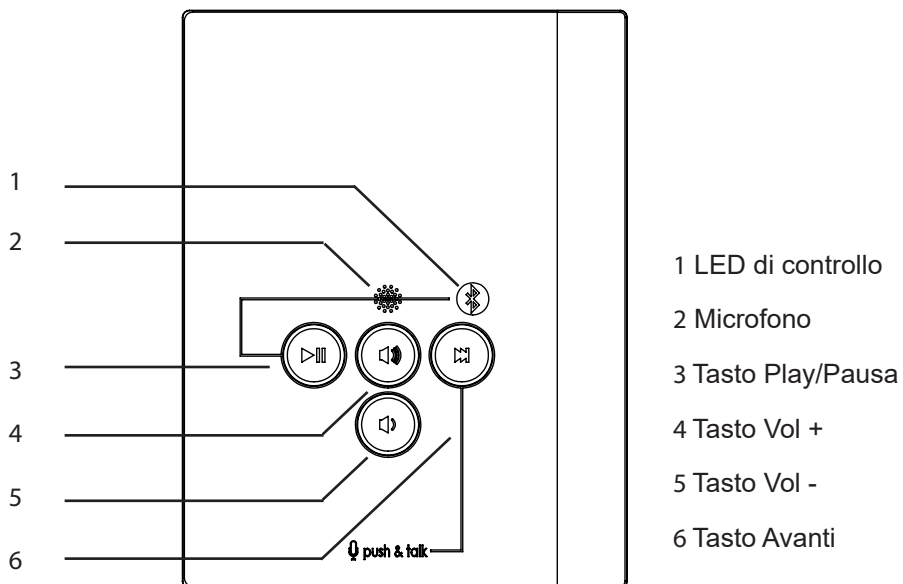


Figura 4: Montaggio del frontcover

5. Utilizzo

5.1. Elemento di comando



5.2. Primo collegamento (pairing)



osservare tassativamente le istruzioni per l'uso della fonte audio (telefono cellulare, tablet ecc.)

1. Inserire l'alimentatore a spina del ProD Bluetooth in una presa di corrente (230 V).
 - ▶ Il LED di controllo 1 sul ProD Bluetooth lampeggia alternando luce rossa e blu per ca. 3 minuti (modalità di collegamento).
 - ▶ Dopo la modalità di collegamento, il ProD Bluetooth passa in modalità standby. Il LED di controllo 1 sul ProD Bluetooth lampeggia lentamente con luce blu.
 - ▶ Premere il tasto Avanti per 3 secondi per tornare alla modalità di collegamento.

Se la fonte audio non cerca automaticamente apparecchi Bluetooth nelle vicinanze, avviare la ricerca manualmente, ad es. selezionando la funzione chiamata "Cerca apparecchi" o simili.

2. Accendere la fonte audio (cellulare, tablet, ecc.).
3. Attivare la funzione Bluetooth della fonte audio.
 - ▶ La maggior parte degli apparecchi cerca automaticamente altri apparecchi Bluetooth nelle vicinanze e li visualizza.
 - ▶ Il ProD Bluetooth viene visualizzato sulla fonte audio con il contrassegno "sentio.BT xxx".
 - ▶ xxx è un numero identificativo che dipende dal dispositivo (ad es. E2D)
4. Selezionare "sentio.BT xxx" dall'elenco degli apparecchi visualizzato sulla fonte audio.
 - ▶ Viene creato il primo collegamento Bluetooth tra la fonte audio e il ProD Bluetooth (= collegamento/pairing).
 - ▶ Il LED di controllo 1 sul ProD Bluetooth emette luce blu.
 - ▶ Il ProD Bluetooth è collegato e pronto all'uso.
5. Riprodurre la musica con il lettore audio della fonte audio.
 - ▶ La musica viene emessa mediante gli altoparlanti collegati al ProD Bluetooth.

5.3. Impostazione del volume

Per modificare il volume, utilizzare i tasti Vol +/Vol - 4, 5 sul ProD Bluetooth.

Nel ProD Bluetooth il volume può essere regolato su 4 livelli. Il volume massimo viene raggiunto quando, dopo aver digitato il tasto Vol + 4, il LED di controllo 1 lampeggia tre volte. Il volume minimo viene raggiunto quando, dopo aver digitato il tasto Vol - 5, il LED di controllo 1 lampeggia tre volte.

5.4. Interruzione/continuazione della riproduzione musicale



Se anche il livello massimo del volume del ProD Bluetooth dovesse sembrare troppo basso, alzare il volume sulla fonte audio. Se anche il livello minimo del volume del ProD Bluetooth dovesse sembrare troppo alto, abbassare il volume sulla fonte audio.

Per interrompere la riproduzione musicale o per riprenderla dopo un'interruzione, procedere come segue:

- Usare il tasto Play/Pausa 3 sul ProD Bluetooth.
- Usare il tasto Play/Pausa del lettore audio della fonte audio.

5.5. Selezione della traccia

Per selezionare una traccia, procedere come segue:

- Premere il tasto Avanti 6 sul modulo Bluetooth.
- Usare i tasti Avanti/Indietro del lettore audio della fonte audio.

5.6. Interruzione del collegamento

Per interrompere il collegamento Bluetooth tra la fonte audio (telefono cellulare, tablet ecc.) e il ProD Bluetooth, è possibile:

- Disinserire la funzione Bluetooth della fonte audio, oppure
- Interrompere manualmente il collegamento alla fonte audio. Osservare le istruzioni per l'uso dell'apparecchio.

5.7. Nuovo collegamento

Il collegamento Bluetooth tra la fonte audio e il ProD Bluetooth viene ristabilito automaticamente, se

- la fonte audio si trovava fuori dalla portata del ProD Bluetooth.
- la funzione Bluetooth della fonte audio era spenta ed è stata riattivata;

Se il collegamento Bluetooth tra la fonte audio e il ProD Bluetooth è stato interrotto manualmente sulla fonte audio, ristabilire manualmente anche il collegamento Bluetooth alla fonte audio (vedi punto **5.2** a pag. **11**)

5.8. Come passare a un'altra fonte audio

Come passare a un'altra fonte audio (finora non collegata)

Se si desidera collegare il ProD Bluetooth a una nuova fonte audio, procedere nel modo seguente:

1. Interrompere il collegamento Bluetooth tra la fonte audio finora utilizzata e il ProD Bluetooth. Osservare le istruzioni per l'uso dell'apparecchio.
 - Premere il tasto Play/Pausa 3 sul ProD Bluetooth per 3 secondi. Il LED di controllo 1 lampeggia alternando luce rossa e blu (modalità di collegamento)
- ▶ Il ProD Bluetooth può ora stabilire un primo collegamento con un'altra fonte audio (collegamento, pairing - vedi punto **5.2** a pag. **11**).



Al ProD Bluetooth può essere collegato attivamente sempre e solo un apparecchio alla volta.

Come passare a una fonte audio già collegata

Il modulo Bluetooth memorizza le informazioni di accoppiamento delle ultime otto fonti audio. Per collegare il modulo Bluetooth a un apparecchio già collegato in precedenza, procedere come segue:

1. Interrompere il collegamento Bluetooth tra la fonte audio finora utilizzata e il ProD Bluetooth. Osservare le istruzioni per l'uso dell'apparecchio.
2. Creare manualmente il collegamento Bluetooth tra la nuova fonte audio e il modulo Bluetooth:
 - Selezionare "sentio.BT xxx" dall'elenco degli apparecchi collegati.



Al ProD Bluetooth può essere collegato attivamente sempre e solo un apparecchio alla volta.

5.9. Risposta alla chiamata durante la riproduzione musicale

Una chiamata in arrivo sull'apparecchio collegato viene inoltrata al ProD Bluetooth e segnalata da un suono di chiamata. Se si desidera rispondere alla chiamata, premere brevemente il tasto Avanti 6. In seguito la riproduzione musicale viene interrotta automaticamente e ripresa dopo la chiamata.



Se il LED di controllo lampeggia con luce violetta, il microfono è attivato.

5.10. Utilizzo del riconoscimento vocale

Osservare le istruzioni per l'uso dell'apparecchio. A seconda delle funzioni attivate, queste possono essere avviate mediante il microfono integrato del ProD Bluetooth (ad es. chiamare il contatto, rispondere alla chiamata, riprodurre il brano musicale successivo dalla playlist, creare promemoria ecc.).

1. Premere il tasto Avanti 6 per 3 secondi per attivare il microfono (push to talk).
 - ▶ Il LED di controllo 1 sul ProD Bluetooth lampeggia con luce violetta ed emette un segnale acustico.

6. Pulizia e manutenzione

6.1. Pulizia

ATTENZIONE!

Danni all'apparecchio

L'apparecchio dispone di una protezione antispruzzo, tuttavia il contatto diretto con l'acqua può danneggiare l'apparecchio.

- NON immergere MAI l'apparecchio in acqua.
- NON versare MAI acqua sull'apparecchio.
- NON pulire MAI l'apparecchio con un panno troppo inumidito.
- Non pulire MAI la parte posteriore dell'apparecchio, far eseguire questa operazione a un elettricista.
- Non aprire MAI il corpo dell'apparecchio.

1. Immergere un panno per la pulizia in una soluzione di acqua tiepida saponata.
2. Strizzare bene il panno.
3. Pulire con cura la parte anteriore dell'apparecchio.

6.2. Manutenzione

Il ProD Bluetooth non richiede manutenzione.

IT

7. Smaltimento



- Smaltire i materiali dell'imballaggio conformemente alle normative sullo smaltimento vigenti.
- I vecchi apparecchi contengono materiali riciclabili ma anche sostanze dannose. Non gettare mai l'apparecchio usato insieme ai rifiuti non riciclabili, bensì smaltirlo in conformità alle norme vigenti a livello locale.

8. Risoluzione dei problemi

Errore	Causa	Rimedio
Impossibile collegare una fonte audio.	La fonte audio si trova fuori dalla portata del ProD Bluetooth.	Ridurre la distanza tra la fonte audio e il ProD Bluetooth.
	Il ProD Bluetooth non si trova in modalità di collegamento.	Premere il tasto Play/Pausa 3 per 3 secondi. ► Il LED di controllo 1 sul modulo Bluetooth lampeggia alternando luce rossa e blu (modalità di collegamento).
Non è possibile stabilire il collegamento Bluetooth tra una fonte audio e il ProD Bluetooth.	La fonte audio si trova fuori dalla portata del ProD Bluetooth.	Ridurre la distanza tra la fonte audio e il ProD Bluetooth.
	Il ProD Bluetooth è già collegato ad un'altra fonte audio.	Interrompere il collegamento a questa fonte audio.
Il prossimo brano musicale non viene riprodotto. Il tasto "Avanti" non funziona	Il ProD Bluetooth invia l'ordine alla fonte audio che non può utilizzare il comando	Utilizzare un'altra fonte audio
Il microfono non può essere attivato sebbene sia stato premuto il tasto "Avanti" per 3 secondi	Il ProD Bluetooth invia l'ordine alla fonte audio che non può utilizzare il comando	Controllare le impostazioni per l'immissione vocale nella fonte audio.

9. Specifiche tecniche

Condizioni ambientali

Temperatura di stoccaggio:	da -25 °C a +70 °C
Temperatura ambiente:	da 0 °C a +100 °C
Umidità dell'aria:	max 99%
	non condensante

Dimensioni

Dimensioni:	79 x 103 x 36,6 mm
Dimensioni apertura	65 x 70 x 35 mm

Cavi (resistenti almeno a una temperatura di 150 °C)

Cavo di alimentazione e cavo di prolunga	min. 2 x 0,4 mm ²
Cavi altoparlante (max 3 m):	min 2 x 0,4 mm ²

Bluetooth

Versione:	4.0
Portata	fino a 30 m

Cavi (resistenti almeno a una temperatura di 150 °C)

Cavo di alimentazione e cavo di prolunga	min 2 x 0,4 mm ²
Cavi altoparlante (max 3 m):	min 2 x 0,4 mm ²

Collegamenti

- Collegamento audio per due altoparlanti
- Collegamento Line Out
- Alimentatore a spina con adattatore

Altoparlanti

Impedenza	2 x 8 Ω
Potenza sinusoidale:	2 x 3 W
Valore P.M.P.O.:	~ 15 W
Resistenza termica	min. 120 °C

- ▶ Si consiglia l'impiego degli altoparlanti WC4-BT-SPK o WC4-BT-EXC, altrimenti si possono creare rumori fastidiosi (fruscio).

Possibili sistemi operativi per la fonte audio

Android a partire dalla versione 1.5

iPad/iPhone a partire da iOS 3.0

Nokia Symbian

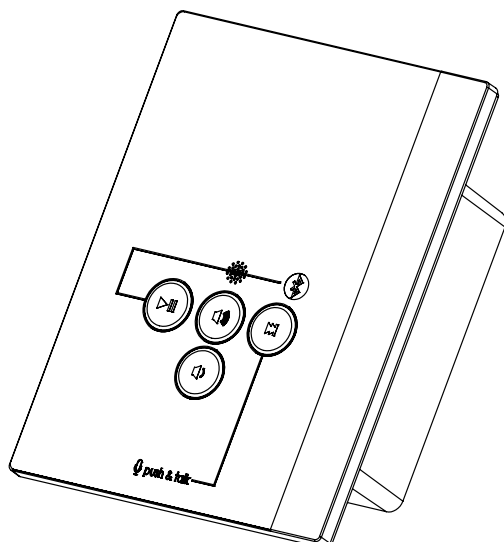
Linux

AVVERTENZA: Windows 7 NON supporta tutte le funzioni. Non è quindi possibile impostare il volume mediante i tasti sul modulo Bluetooth.

ProD Bluetooth

PROD-BT-B / PROD-BT-W

MONTAGE- EN GEBRUIKSAANWIJZING
Nederlands



NL

Inhoudsopgave

1. Over deze handleiding	3
2. Belangrijke aanwijzingen voor uw veiligheid	4
2.1. Reglementair gebruik	4
2.2. Veiligheidsaanwijzingen	4
3. Productbeschrijving	5
3.1. Leveromvang	5
3.2. Productfuncties	5
4. Montage en aansluiting	7
4.1. Montage voorbereiden	8
4.2. Apparaat aansluiten	9
4.3. Apparaat monteren	9
5. Bediening	10
5.1. Bedieningselement	10
5.2. Eerste verbinding maken (koppelen, pairing)	11
5.3. Volume instellen	12
5.4. Afspelen van muziek onderbreken/voortzetten	12
5.5. Ander lied afspelen	12
5.6. Verbinding verbreken	12
5.7. Opnieuw verbinding maken	13
5.8. Audiobron wisselen	13
5.9. Oproep aannemen tijdens muziekweergave	14
5.10. Spraakherkenning gebruiken	14
6. Reiniging en onderhoud	15
6.1. Reiniging	15
6.2. Onderhoud	15
7. Afvoer	15
8. Probleemoplossing	16
9. Technische gegevens	17

1. Over deze handleiding

Lees deze montage- en gebruiksaanwijzing goed door en bewaar hem in de buurt van het apparaat. Zo kunt u te allen tijde informatie over uw veiligheid en de bediening nalezen.



U vindt deze montage- en gebruiksaanwijzing ook op onze website, www.mediabank.harvia.com

Symbolen

In deze montage- en gebruiksaanwijzing worden symbolen en signaalwoorden gebruikt die het volgende betekenen:

ATTENTIE!

Dit signaalwoord waarschuwt voor materiële schade.



Dit symbool kenmerkt tips en nuttige aanwijzingen.

2. Belangrijke aanwijzingen voor uw veiligheid

De Pro D Bluetooth-module is gebouwd conform erkende veiligheidstechnische voorschriften. Toch kunnen bij het gebruik gevaren ontstaan. Neem daarom de volgende veiligheidsaanwijzingen en de speciale waarschuwingsaanwijzingen in de afzonderlijke hoofdstukken in acht.

2.1. Reglementair gebruik

De Pro D Bluetooth is een audioversterker met geïntegreerde microfoon. Hij is bedoeld voor het afspelen van muziek vanaf een apparaat met bluetooth. De geïntegreerde microfoon maakt handsfree bellen en toegang tot een spraakassistent (bijvoorbeeld Siri, Google Now enz.) mogelijk, mits het apparaat met bluetoothfunctionaliteit deze functie ondersteunt. Apparaten met bluetooth zijn o.a. de meeste mobiele telefoons, tablets en laptops.

Elk ander gebruik geldt als niet-reglementair. Niet-reglementair gebruik kan leiden tot productbeschadiging, ernstig letsel of de dood.

2.2. Veiligheidsaanwijzingen

- Montage- en aansluitwerkzaamheden aan het apparaat mogen uitsluitend in stroomloze toestand worden uitgevoerd.
- Neem bij de montage de instructies in deze gebruiksaanwijzing in acht, omdat het product anders beschadigd kan raken of de levensduur ervan kan worden verkort.
- Open het apparaat NOOIT.
- Bij problemen die in deze montage- en gebruiksaanwijzing niet uitvoerig genoeg behandeld zijn, dient u voor uw eigen veiligheid contact op te nemen met uw leverancier.

3. Productbeschrijving

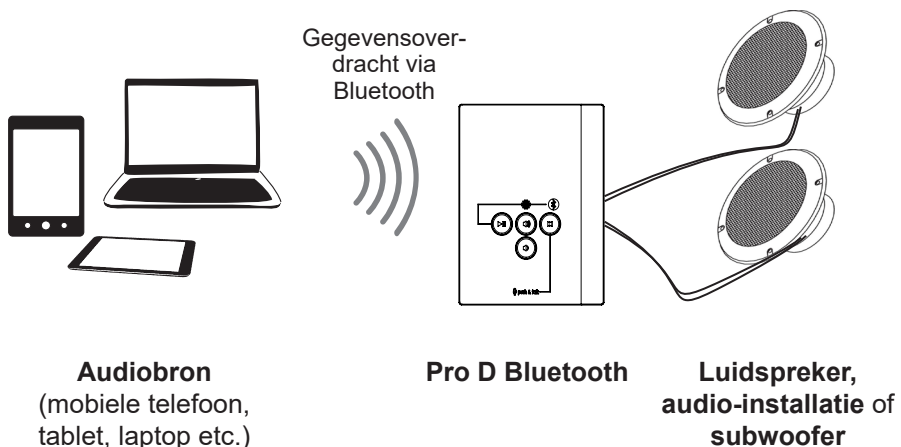
3.1. Leveromvang

- ProD Bluetooth
- Netvoedingsadapter met aansluitkabel (1,5 m)
- Verlengsnoer voor de aansluitkabel naar de netvoedingsadapter (2 m)
- Montagemateriaal (4 st. houtschroeven (16 mm), hoek voor het openen van het bedieningspaneel)

3.2. Productfuncties

De ProD Bluetooth maakt het mogelijk muziek af te spelen in sauna's of infraroodcabines. De muziek wordt daarbij via de bluetooth-verbinding door een apparaat met bluetoothfunctionaliteit (= audiobron) overgedragen aan de ProD Bluetooth. Als audiobron kunnen alle apparaten met bluetooth, zoals de meeste mobiele telefoons, tablets en laptops, worden gebruikt. De bluetooth-module heeft een geïntegreerde versterker.

De geïntegreerde microfoon maakt spraakbesturing van het apparaat met bluetoothfunctionaliteit mogelijk, mits deze functie wordt ondersteund (bijvoorbeeld Siri, Google Now enz.).



Afb. 1: Productfunctie

Montageplaats

De ProD Bluetooth mag in en buiten de sauna worden gemonteerd, waarbij echter de aanwijzingen in deze montagehandleiding absoluut in acht moeten worden genomen (zie **4. Montage en aansluiting** op pagina **7** en **9. Technische gegevens** op pagina **17**).

Aanbevolen accessoires

Om de muziek af te spelen zijn luidsprekers vereist. De fabrikant adviseert de volgende producten:

Artikelnummer	Benaming	Opmerking
WC4-BT-SPK	Luidsprekerset	Geschikt voor montage in de saunacabine
WC4-BT-EXC	Subwoofer (elektromagnetische exciter)	Wordt buiten de saunacabine gemonteerd Niet geschikt voor alle saunacabines (afhankelijk van wandconstructie)

Indien andere luidsprekers dan de vermelde worden gebruikt, kunnen storende geluiden (ruisen) optreden.

Let op: Bij gebruik van andere luidsprekers dan WC4-BT-SPK en WC4-BT-EXC bestaat bij problemen betreffende storende geluiden (ruisen) geen aanspraak op garantie. De eisen onder **9. Technische gegevens** op pagina **17** in acht nemen.

Afspelen via audio-installatie

De ProD Bluetooth beschikt over een Line-Out-uitgang. Daarmee kan muziek ook op een audio-installatie, bijvoorbeeld de wave.com4 sound&light of een stereo-installatie worden afgespeeld, mits de stereo-installatie over een Line-In-aansluiting van 3,5 mm (Aux-In-aansluiting) beschikt.

Volumeregeling

Het volume kan op de ProD Bluetooth op 4 niveaus worden ingesteld. Het volume kan verder worden ingesteld met de audiobron (mobiele telefoon, tablet etc.)

4. Montage en aansluiting

- Wanneer u de volgende punten in acht neemt, mag het apparaat in de sauna worden gemonteerd:
 - Monteer het apparaat op een zo groot mogelijk afstand van de saunakachel, infraroodstralers of andere warmtebronnen.
 - Monteer het apparaat IN GEEN GEVAL boven of direct naast de saunakachel of een andere warmtebron.
 - De maximale montagehoogte in een saunacabine bedraagt 140 cm.
 - De maximale montagehoogte in een infraroodcabine bedraagt 170 cm.
 - Achter het apparaat mag zich geen isolatiemateriaal (bijv. minerale wol) bevinden.
 - De omgevingsvoorwaarden (zie **9. Technische gegevens** op pagina **17**) moeten in acht worden genomen.
- Voor het verlengen van de voedingskabel mag uitsluitend de meegeleverde verlengkabel worden gebruikt.

4.1. Montage voorbereiden

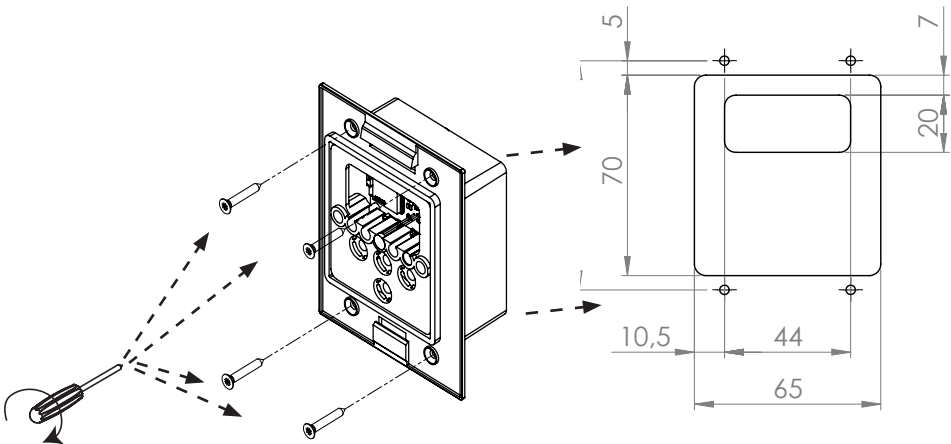
Neem in acht **Afb. 2**

ATTENTIE!

Schade aan het apparaat

- De ProD Bluetooth is spatwaterdicht (IP-code IPX4).
- Werkzaamheden aan de ProD Bluetooth mogen alleen met een normale schroevendraaier worden uitgevoerd. Bij gebruik van een accuschroevendraaier kan de behuizing onherstelbaar worden beschadigd!

1. Zaag de montage-opening met een decoupeerzaag in de cabinewand.
2. De minimale inbouwdiepte voor een wanduitsnede bedraagt 35 mm.
3. Verwijder eventueel isolatiemateriaal uit de montage-opening.
4. Leg de aansluitkabel door de wand van de saunacabine naar de montage-opening en bevestig de aansluitkabel met kabelklemmen.



Afb. 2: Montage in wanduitsnede

R-	R+	L+	L-	V+	GND	R	GND	L
SPEAKER			+5V _{DC}		LINE OUT			

Afb. 3: Aansluiting van het apparaat (achterzijde)

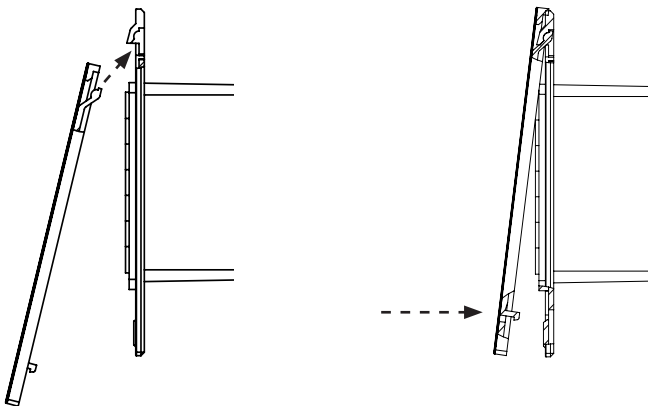
4.2. Apparaat aansluiten

Neem de **Afb. 3** in acht.

1. Sluit de 2-polige aansluitkabel aan op de klemmen met de aanduiding „**5V_{DC}**”.
 - Steek hierbij de zwarte kabel in de klem met de aanduiding „**GND**” en de rode kabel in de klem met de aanduiding „**V+**”.
2. Verbind de kabel met de stekker van de voedingseenheid.
3. Sluit de kabels van de luidspreker (max. 3 m) aan op de klemmen met de aanduiding „**SPEAKER**”: de kabels van de rechter luidspreker met de klemmen „**R**”, de kabels van de linker luidspreker met de klemmen „**L**”.
 - Steek hierbij de zwarte kabels in de klemmen met de aanduiding „**-**” en de rode kabels in de klemmen met de aanduiding „**+**”.
4. Als u voor het afspelen van muziek een audio-installatie wilt gebruiken, verbind dan de uitgang „**LINE OUT**” van de bluetooth-module met de Line-In-bus (Aux-In-bus) van de audio-installatie. Gebruik hiervoor een tot 150 °C temperatuurbestendige kabel (NIET meegeleverd).

4.3. Apparaat monteren

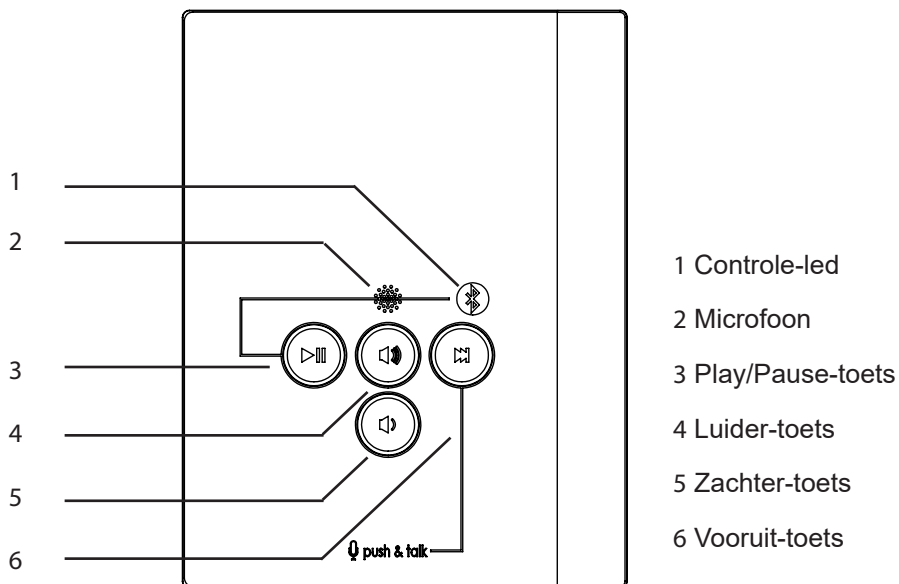
1. Plaats het apparaat in de montage-opening.
2. Schroef het apparaat door de boringen met de vier meegeleverde houtschroeven vast aan de cabinewand.
3. De frontplaat wordt met lichte druk in de behuizing gestoken. De onderste bevestigingshaak moet merkbaar vergrendelen.



Afb. 4: Montage frontcover

5. Bediening

5.1. Bedieningselement



5.2. Eerste verbinding maken (koppelen, pairing)



Raadpleeg de gebruiksaanwijzing van uw audiobron (mobiele telefoon, tablet etc.)

1. Steek de stekkeradapter van de ProD Bluetooth in een contactdoos (230 V).
 - ▶ De controle-led 1 van de ProD Bluetooth knippert afwisselend rood en blauw gedurende ca. 3 minuten (koppelmodus).
 - ▶ Na de koppelmodus wisselt de ProD Bluetooth naar stand-bymodus. De controle-led 1 van de ProD Bluetooth knippert langzaam blauw.
 - ▶ Door indrukken van de vooruitknop gedurende 3 seconden keert u terug naar de koppelmodus.
2. Schakel de audiobron (mobiele telefoon, tablet) in.
3. Schakel de bluetooth-functie van de audiobron in.

Wanneer uw audiobron niet automatisch naar Bluetooth-apparaten in de omgeving zoekt, dient u dit handmatig te doen, bijv. door de functie „Naar apparaten zoeken” of een soortgelijke functie te gebruiken.

- ▶ De meeste apparaten zoeken automatisch naar andere Bluetooth-apparaten in de omgeving en geven deze weer.
 - ▶ De ProD Bluetooth wordt op de audiobron met de aanduiding „sentio.BT xxx” weergegeven.
 - ▶ xxx is een apparaatafhankelijk identificatienummer (bijvoorbeeld E2D)
4. Selecteer „sentio.BT xxx” in de apparatenlijst die op de audiobron wordt weergegeven.
 - ▶ De eerste bluetooth-verbinding tussen audiobron en ProD Bluetooth wordt gemaakt (= koppelen/pairen).
 - ▶ De controle-led 1 van de ProD Bluetooth brandt blauw.
 - ▶ De ProD Bluetooth is verbonden en gebruiksklaar.
 5. Speel muziek af met de audiospeler van uw audiobron.
 - ▶ De muziek wordt afgespeeld via de luidsprekers die op de ProD Bluetooth zijn aangesloten.

5.3. Volume instellen

Gebruik de Luider/Zachter-toetsen 4 en 5 op de ProD Bluetooth om het volume te regelen.

Het volume kan op de ProD Bluetooth op 4 niveaus worden ingesteld. Het maximale volume is bereikt als na bedienen van de Luider-toets 4 de controle-led 1 drie keer knippert. Het minimale volume is bereikt als na bedienen van de Zachter-toets 5 de controle-led 1 drie keer knippert.



Als het maximale volumenniveau van de ProD Bluetooth te zacht is, verhoog dan het volume op uw audiobron. Als het minimale volumenniveau van de ProD Bluetooth te luid is, verlaag dan het volume op uw audiobron.

5.4. Afspelen van muziek onderbreken/voortzetten

Om het afspelen van muziek te onderbreken of na een onderbreken weer voort te zetten, heeft u de volgende mogelijkheden:

- Gebruik de Play/Pause-toets 3 van de ProD Bluetooth.
- Gebruik de Play/Pause-toets van de audioplayer van uw audiobron.

5.5. Ander lied afspelen

Om een ander lied af te spelen, heeft u de volgende mogelijkheden:

- Gebruik de Vooruit-toets 6 van de bluetooth-module.
- Gebruik de Vooruit-/Achteruit-toetsen van de audioplayer van uw audiobron.

5.6. Verbinding verbreken

Om de bluetooth-verbinding tussen de audiobron (mobiele telefoon, tablet) en de bluetooth-module te onderbreken, heeft u de volgende mogelijkheden:

- Schakel de bluetooth-functie van de audiobron uit .
- Verbreek de verbinding handmatig op de audiobron. Raadpleeg daarvoor de gebruiksaanwijzing van uw audiobron.

5.7. Opnieuw verbinding maken

De bluetooth-verbinding tussen audiobron en de ProD Bluetooth wordt automatisch weer gemaakt, als

- de audiobron zich buiten het bereik van de ProD Bluetooth heeft bevonden.
- de bluetooth-functie van de audiobron uitgeschakeld was en u deze weer inschakelt.

Als u de bluetooth-verbinding tussen audiobron en de ProD Bluetooth handmatig op de audiobron heeft verbroken, moet u de bluetooth-verbinding op de audiobron ook weer handmatig tot stand brengen (zie punt **5.2** op pagina **11**)

5.8. Audiobron wisselen

Naar een nieuwe (nog niet gekoppelde) audiobron wisselen

Als u de ProD Bluetooth met een nieuwe audiobron wilt koppelen, gaat u als volgt te werk:

1. Onderbreek de bluetooth-verbinding tussen de audiobron en de ProD Bluetooth. Raadpleeg daarvoor de gebruiksaanwijzing van uw audiobron.
 - Druk gedurende 3 seconden op de Play/Pause-toets 3 van de ProD Bluetooth. De controle-led 1 knippert afwisselend rood en blauw (koppelmodus)
- ▶ De ProD Bluetooth kan nu een nieuwe verbinding met een andere audiobron maken (koppelen, paren - zie punt **5.2** op pagina **11**).



Er kan altijd slechts één apparaat actief met de ProD Bluetooth verbonden zijn.

Naar een gekoppelde audiobron wisselen

De bluetooth-module slaat de koppelingsinformatie van de laatste acht audiobronnen op. Om de bluetooth-module met een al gekoppeld apparaat te verbinden, moet u daarom de volgende stappen uitvoeren:

1. Onderbreek de bluetooth-verbinding tussen de audiobron en de ProD Bluetooth. Raadpleeg daarvoor de gebruiksaanwijzing van uw audiobron.
2. Maak handmatig een bluetooth-verbinding tussen de nieuwe audiobron en de bluetooth-module:
 - Selecteer „sentio.BT xxx” in de lijst van gekoppelde apparaten.



Er kan altijd slechts één apparaat actief met de ProD Bluetooth verbonden zijn.

5.9. Oproep aannemen tijdens muziekweergave

Een binnenkomende oproep op het verbonden apparaat wordt aan de ProD Bluetooth doorgegeven en met een beltoon gesignaleerd. Als u de oproep wilt aannemen, drukt u kort op de Vooruit-toets 6. Hierdoor wordt de muziekweergave automatisch onderbroken en na het telefoneren weer voortgezet.



Als de controle-led paars knippert, is de microfoon geactiveerd.

5.10. Spraakherkenning gebruiken

Raadpleeg daarvoor de gebruiksaanwijzing van uw apparaat. Afhankelijk van de geactiveerde functies kunnen deze via de geïntegreerde microfoon van de ProD Bluetooth worden gestart (bijvoorbeeld contact bellen, oproep aannemen, volgende muziktitel uit de playlist afspelen, herinneringen maken enz.).

1. Druk op de Vooruit-toets 6 voor 3 seconden om de microfoon te activeren (push to talk).
 - ▶ De controle-led 1 van de ProD Bluetooth knippert paars en de signaaltoon klinkt.

6. Reiniging en onderhoud

6.1. Reiniging

ATTENTIE!

Schade aan het apparaat

Het apparaat is spatwaterdicht, maar rechtstreeks contact met water kan het apparaat toch beschadigen.

- Dompel het apparaat NOOIT onder in water.
- Giet geen water over het apparaat.
- Reinig het apparaat niet te nat.
- Reinig de achterzijde van het apparaat IN GEEN GEVAL zelf, maar laat dit over aan een elektricien.
- Open NOOIT de behuizing van het apparaat.

1. Drenk een reinigingsdoek in een zachte zeepoplossing.
2. Wring de reinigingsdoek goed uit.
3. Veeg de voorzijde van het apparaat voorzichtig af.

6.2. Onderhoud

De ProD Bluetooth is onderhoudsvrij.

7. Afvoer



- Voer het verpakkingsmateriaal af volgens de geldende afvoer-richtlijnen.
- Oude apparaten bevatten opnieuw bruikbare materialen maar ook schadelijke stoffen. Deponeer uw oude apparaat daarom in geen geval bij het gewone afval, maar voer het apparaat af volgens de plaatselijk geldende voorschriften.

8. Probleemoplossing

<i>Fout</i>	<i>Oorzaak</i>	<i>Oplossing</i>
Een audiobron kan niet worden gekoppeld.	De audiobron bevindt zich buiten het bereik van de ProD Bluetooth.	Reduceer de afstand tussen audiobron en ProD Bluetooth.
	De ProD Bluetooth is niet in koppelmodus.	Druk gedurende 3 seconden op de Play/Pause-toets 3. ▶ De controle-led 1 van de bluetooth-module knippert afwisselend rood en blauw (koppelmodus).
De bluetooth-verbinding tussen een audiobron en de ProD Bluetooth kan niet tot stand worden gebracht.	De audiobron bevindt zich buiten het bereik van de ProD Bluetooth.	Reduceer de afstand tussen audiobron en de ProD Bluetooth.
	De ProD Bluetooth is al met een andere audiobron verbonden.	Verbreek de verbinding met de andere audiobron.
Volgende muziektitel wordt niet afgespeeld. Drukken op toets „Vooruit” werkt niet	De ProD Bluetooth stuurt de opdracht naar de audiobron, deze kan de opdracht niet verwerken	Gebruik een andere audiobron
Microfoon kan niet worden geactiveerd, ondanks drukken op toets „Vooruit” gedurende 3 seconden	De ProD Bluetooth stuurt de opdracht naar de audiobron, deze kan de opdracht niet verwerken	Controleer de instellingen voor spraakinvoer op de audiobron.

9. Technische gegevens

Omgevingsomstandigheden

Opslagtemperatuur:	-25 °C tot +70 °C
Omgevingstemperatuur:	0 °C tot +100 °C
Luchtvochtigheid:	max. 99%
	niet-condenserend

Afmetingen

Afmetingen:	79 x 103 x 36,6 mm
Afmetingen uitsnede	65 x 70 x 35 mm

Kabels (minstens temperatuurbestendig tot 150 °C)

Aansluitkabel en verlengkabel	min. 2 x 0,4 mm ²
Luidsprekerkabels (max. 3 m):	min. 2 x 0,4 mm ²

Bluetooth

Versie:	4.0
Bereik	tot 30 m

Kabels (minstens temperatuurbestendig tot 150 °C)

Aansluitkabel en verlengkabel	min. 2 x 0,4 mm ²
Luidsprekerkabels (max. 3 m):	min. 2 x 0,4 mm ²

Aansluitingen

- Audioaansluiting voor twee luidsprekers
- Line-Out-aansluiting
- Stekkervoeding met adapter

Luidsprekers

Impedantie	2 x 8 Ω
Sinusvermogen:	2 x 3 W
PMPO-waarde:	~ 15 W
Temperatuurbestendigheid	min. 120 °C

- ▶ Gebruik van de luidsprekers WC4-BT-SPK of WC4-BT-EXC wordt aanbevolen, omdat anders storende geluiden (ruisen) kunnen optreden.

Mogelijke besturingssystemen voor de audiobron

Android vanaf versie 1.5

iPad/iPhone vanaf iOS 3.0

Nokia Symbian

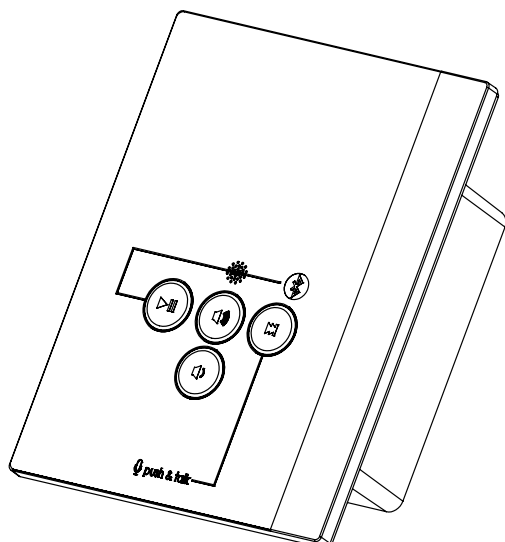
Linux

OPMERKING: Windows 7 ondersteunt NIET alle functies. Zo is het niet mogelijk het volume te regelen via de knoppen Luider en Zachter op de bluetooth-module.

ProD Bluetooth

PROD-BT-B / PROD-BT-W

MONTERINGS- OCH BRUKSANVISNING
Svenska



SV

Innehållsförteckning

1. Om monterings- och bruksanvisningen	3
2. Viktig säkerhetsinformation	4
2.1. Ändamålsenlig användning	4
2.2. Säkerhetsanvisningar	4
3. Produktbeskrivning	5
3.1. Leveransomfattning	5
3.2. Funktioner	5
4. Installation och anslutning	7
4.1. Förbereda monteringen	8
4.2. Ansluta apparat	9
4.3. Montera apparaten	9
5. Användning	10
5.1. Manöverelement	10
5.2. Upprätta första anslutningen (koppling, parkoppling)	11
5.3. Ställa in volym	12
5.4. Avbryta/fortsätta uppspelning av musik	12
5.5. Välja spår	12
5.6. Koppla ner anslutningen	12
5.7. Upprätta anslutning på nytt	13
5.8. Byta ljudkälla	13
5.9. Svara på samtal vid uppspelning av musik	14
5.10. Använda taligenkänning	14
6. Rengöring och underhåll	15
6.1. Rengöring	15
6.2. Underhåll	15
7. Avfallshantering	15
8. Problemlösning	16
9. Tekniska data	17

1. Om monterings- och bruksanvisningen

Läs hela monterings- och bruksanvisningen noga och förvara den sedan i närheten av apparaten. Du kan då när som helst läsa de specifika säkerhets- och användningsanvisningarna.



Den här monterings- och bruksanvisningen kan även laddas ner från vår webbsida, www.mediabank.harvia.com

Symboler

I denna monterings- och bruksanvisning används symboler och signalord med följande betydelse:

WARNING!

Varnar för saksador.



Används vid tips och nyttig information.

2. Viktig säkerhetsinformation

ProD Bluetooth-modulen har konstruerats och tillverkats enligt vedertagna säkerhetstekniska regler. Det kan ändå uppstå vissa risker under användningen. Följ alltid nedanstående säkerhetsanvisningar och observera de särskilda varningarna i resp. kapitel.

2.1. Ändamålsenlig användning

ProD Bluetooth är en ljudförstärkare med inbyggd mikrofon. Den används för att spela upp musik från en Bluetooth-kompatibel enhet.

Via den inbyggda mikrofonen kan man prata i handsfree-läge och använda en röstassistent (t.ex. Siri, Google Now, ...) förutsatt att den Bluetooth-kompatibla enheten har stöd för funktionen i fråga.

Bluetooth-kompatibla enheter är t.ex. de flesta mobiltelefoner, surfplattor och laptops.

All annan användning betraktas som ej ändamålsenlig. Ej ändamålsenlig användning kan leda till skador på produkten och innebära risk för allvarliga eller livsfarliga skador.

2.2. Säkerhetsanvisningar

- Apparaten får endast installeras och anslutas i spänningslöst tillstånd.
- Observera anvisningarna i denna bruksanvisning vid monteringen eftersom produkten annars kan skadas och dess livslängd förkortas.
- Öppna ALDRIG apparaten.
- Om det uppstår problem som inte beskrivs tillräckligt detaljerat i monterings- och bruksanvisningen, vänd dig, för din egen säkerhets skull, till leverantören/återförsäljaren.

3. Produktbeskrivning

3.1. Leveransomfattning

- ProD Bluetooth
- Elkontakt med anslutningskabel (1,5 m)
- Förlängningskabel för elkontaktens anslutningskabel (2 m)
- Monteringsmaterial (4 st. träskruvar (16 mm), vinkelhake för att öppna manöverdelen)

3.2. Funktioner

Med ProD Bluetooth kan man spela upp musik i bastun eller i den infraröda kabinen. Musiken överförs då via en Bluetooth-anslutning från en Bluetooth-kompatibel enhet (=ljudkällan) till ProD Bluetooth. Alla Bluetooth-kompatibla enheter kan fungera som ljudkälla, till exempel de flesta mobiltelefoner, surfplattor, notebook-datorer osv. Förstärkaren är redan integrerad i Bluetooth-modulen.

Med hjälp av den inbyggda mikrofonen kan man använda rösten för att styra den Bluetooth-kompatibla enheten, förutsatt att det finns stöd för funktionen i fråga (t.ex. Siri, Google Now, ...).

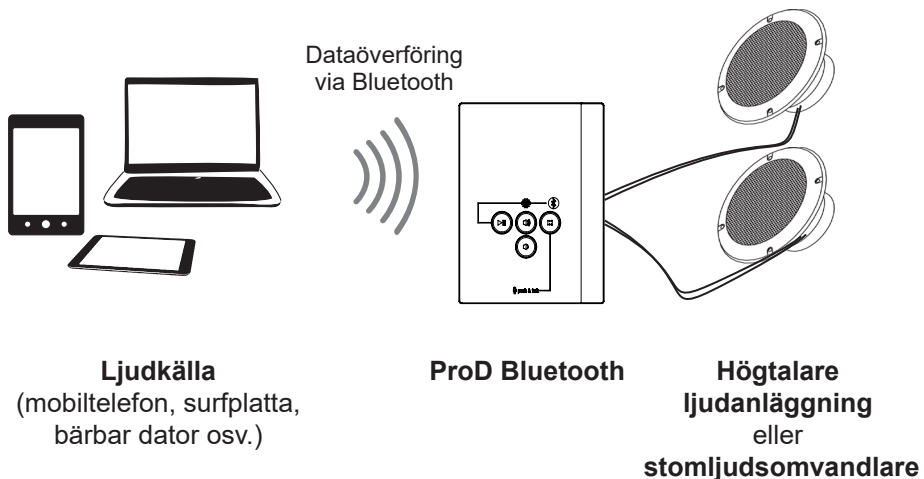


Bild 1: Produktfunktion

Installationsplats

ProD Bluetooth kan monteras inuti och utanpå bastun. Dock måste anvisningarna i denna bruksanvisning följas (se **4. Installation och anslutning** på sidan **7** och **9. Tekniska data** på sidan **17**).

Rekommenderat tillbehör

Högtalare behövs för att kunna spela upp musik. Tillverkaren rekommenderar att följande produkter används:

Artikelnummer	Beteckning	Kommentar
WC4-BT-SPK	Högtalaruppsättning	Lämplig för montering i bastukabin
WC4-BT-EXC	Stomljudsomvandlare (elektromagnetisk exciter)	Monteras utanpå bastun Ej lämplig för alla bastukabiner (beroende på väggens konstruktion)

Risk för störande ljud (brus) om andra högtalare än de som anges i listan används.

Obs: Om andra högtalare än WC4-BT-SPK och WC4-BT-EXC används upphör alla garantianspråk för problem med störande ljud (brus) att gälla. Observera under alla omständigheter kraven under **9. Tekniska data** på sidan **17**.

Uppspelning via audioanläggning

ProD Bluetooth har en Line-Out-utgång. Med hjälp av denna kan man även spela upp musik på en ljudanläggning, t.ex. wave.com4 sound&light eller på en stereoanläggning, förutsatt att stereoanläggningen är försedd med ett 3,5 mm Line-In-uttag (Aux-In-uttag).

Volymkontroll

Ljudvolymen på ProD Bluetooth går att ställa in i fyra steg. Med hjälp av ljudkällan kan man göra fler volyminställningar (mobiltelefon, surfplatta osv.)

4. Installation och anslutning

- Om följande punkter observeras kan produkten monteras inuti bastun:
 - Montera apparaten så långt bort som möjligt från bastuaggregatet, från de infraröda lamporna och från andra värmekällor.
 - Montera ABSOLUT INTE apparaten över eller direkt bredvid bastuaggregatet eller andra värmekällor.
 - Den maximala installationshöjden i en bastu ligger på 140 cm.
 - Den maximala installationshöjden i en infraröd kabin ligger på 170 cm.
 - Inget isoleringsmaterial (t.ex. mineralull) får finnas bakom apparaten.
 - Observera under alla omständigheter omgivningsförhållandena (se **9. Tekniska data** på sida **17**).
- Endast den medföljande förlängningskabeln får användas till att förlänga elkabeln.

4.1. Förbereda montering

Observera **Bild 2**.

OBS!

Skador på produkten

- ProD Bluetooth är skyddad mot stänkatten (kapslingsklass IPX4).
- Använd endast en traditionell skruvmejsel för arbeten med ProD Bluetooth. Om en batteridriven skruvdragare används, föreligger risk för skador som inte går att reparera!

1. Skär till monteringsöppningen med hjälp av en sticksåg i bastuväggen.
2. Det lägsta monteringsdjupet för en väggfördjupning är 35 mm.
3. Avlägsna eventuellt isoleringsmaterial från monteringshålet.
4. Dra anslutningskabeln i bastukabinens vägg till monteringsöppningen och fixera anslutningskabeln med kabelklämmor.

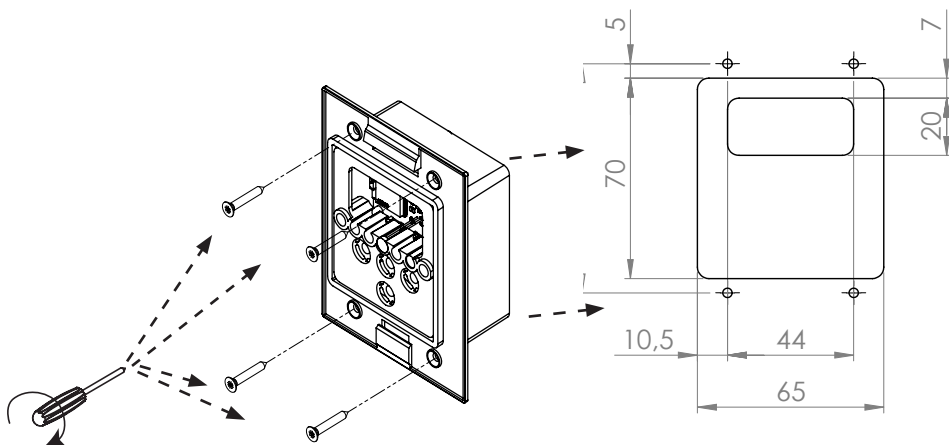


Bild 2: Montering i väggfördjupning

R	-	R	+	L	+	L	-	V	+	GND	R	GND	L
SPEAKER				+5V _{DC}		LINE OUT							

Bild 3: Anslutning av apparat (baksida)

4.2. Ansluta apparat

Observera **Bild 3**.

1. Anslut den 2-poliga anslutningskabeln till klämmorna med beteckningen "5V_{DC}".
 - Anslut den svarta kabeln till klämman med beteckningen "GND" och den röda kabeln till klämman med beteckningen "V+".
2. Förbind kabeln med elkontaktens teleplugg.
3. Anslut högtalarkablarna (max. 3 m) till klämmorna med beteckningen "SPEAKER": den högra högtalarens kablar till klämmorna "R", den vänstra högtalarens kablar till klämmorna "L".
 - Anslut de svarta kablarna till klämmorna med beteckningen "-" och de röda kablarna till klämmorna med beteckningen "+".
4. Om du vill använda en ljudanläggning för att spela upp musik, anslut Bluetooth-modulens utgång "LINE OUT" med ljudanläggningens Line-In-uttag (Aux-In-uttag). Använd en kabel som tål upp till 150 °C (medföljer INTE leveransen).

4.3. Montera apparaten

1. Placera apparaten i monteringshålet.
2. Skruva fast enheten genom hålen med hjälp av de fyra medföljande träskruvarna i bastuväggen.
3. Genom att trycka lätt kan man enkelt sätta in frontplatta i höljet. Se till att den nedre fästkroken kännbart hakar i.

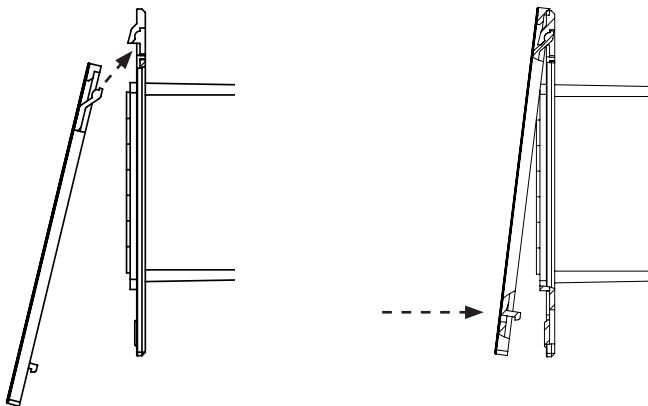
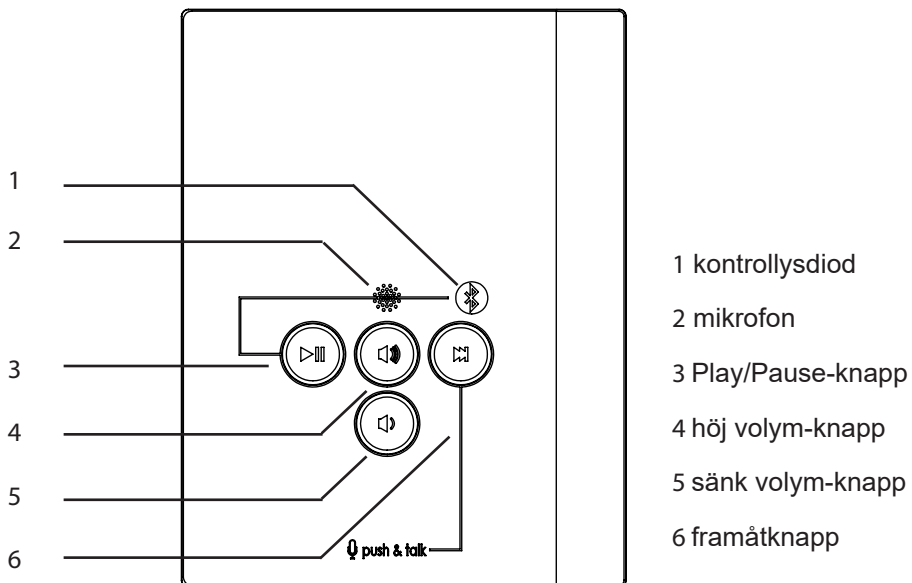


Bild 4: Montera frontkåpa

5. Användning

5.1. Manöverelement



5.2. Upprätta första anslutningen (koppling, parkoppling)



Anvisningarna i bruksanvisningen för ljudkällan (mobiltelefon, surfplatta osv.) måste följas.

1. Sätt in elkontakten för ProD Bluetooth i ett eluttag (230 V).
 - ▶ Kontrolllysdioden 1 på ProD Bluetooth blinkar omväxlande rött, blått i ca 3 minuter (kopplingsläge).
 - ▶ Efter kopplingsläget växlar ProD Bluetooth till standby-drift. Kontrolllysdioden 1 på ProD Bluetooth blinkar långsamt blått.
 - ▶ Genom att hålla framåtknappen intryckt i 3 sekunder kommer man tillbaka till kopplingsläget.
2. Slå på ljudkällan (mobiltelefonen, surfplattan osv.).
3. Aktivera Bluetooth-funktionen på ljudkällan.

Om ljudkällan inte söker automatiskt efter Bluetooth-enheter i omgivningen, påbörja sökningen manuellt, t.ex. genom att välja funktionen "Söka efter enheter" eller en funktion med liknande namn.

- ▶ De flesta enheter söker automatiskt efter andra Bluetooth-enheter i närheten och visar dessa.
 - ▶ ProD Bluetooth visas på ljudkällan som "sentio.BT xxx".
 - ▶ xxx är ett enhetsberoende identifikationsnummer (t.ex. E2D)
4. Välj "sentio.BT xxx" från listan över enheter som visas på ljudkällan.
 - ▶ Den första Bluetooth-anslutningen mellan ljudkällan och ProD Bluetooth upprättas (= koppling/parkoppling).
 - ▶ Kontrolllysdioden 1 på ProD Bluetooth lyser med blått sken.
 - ▶ ProD Bluetooth är ansluten och redo att användas.
 5. Spela upp musik med ljudspelaren på din ljudkälla.
 - ▶ Musiken spelas upp i de högtalare som anslutits till ProD Bluetooth.

5.3. Ställa in volym

Använd volymknapparna 4, 5 på ProD Bluetooth för att justera volymen.

Ljudvolymen på ProD Bluetooth går att ställa in i fyra steg. När man har tryckt på Höja volymen-knappen 4 och kontrollysdioden 1 blinkar tre gånger har man uppnått maximal volym. När man har tryckt på Sänka volymen-knappen 5 och kontrollysdioden 1 blinkar tre gånger har man sänkt till minimal volym.



Om du tycker att maxvolymen på ProD Bluetooth är för låg kan du höja volymen på ljudkällan. Om du tycker att den lägsta volymen på ProD Bluetooth är för hög kan du sänka volymen på ljudkällan.

5.4. Avbryta/fortsätta uppspelning av musik

För att avbryta eller fortsätta musikuppspelningen kan du använda någon av följande metoder:

- Använd Play/Pause-knappen 3 på ProD Bluetooth.
- Använd Play/Pause-knappen på ljudkällans ljudspelare.

5.5. Välja spår

För att välja spår kan du använda någon av följande metoder:

- Använd framåtknappen 6 på Bluetooth-modulen.
- Använd framåt-/bakåtknappen på ljudkällans ljudspelare.

5.6. Koppla ner anslutningen

För att avbryta Bluetooth-anslutningen mellan ljudkällan (mobiltelefonen, surfplattan osv.) och ProD Bluetooth kan du göra på något av följande sätt:

- Stäng av Bluetooth-funktionen på ljudkällan.
- Koppla ner anslutningen manuellt på ljudkällan. För information om detta, läs anvisningarna i apparatens bruksanvisning.

5.7. Upprätta anslutning på nytt

Bluetooth-anslutningen mellan ljudkällan och ProD Bluetooth återupprättas automatiskt när

- Ljudkällan befunnit sig utom räckvidden för ProD Bluetooth.
- Ljudkällans Bluetooth-funktion var avstängd och du aktiverar den igen

Om du manuellt har avbrutit Bluetooth-anslutningen mellan ljudkälla och ProD Bluetooth på ljudkällan, måste Bluetooth-anslutningen upprättas manuellt igen på ljudkällan (se punkt **5.2** på sidan **11**)).

5.8. Byta ljudkälla

Byta till ny (hittills inte kopplad) ljudkälla

Gör på följande sätt för att koppla ProD Bluetooth till en ny ljudkälla:

1. Avbryt Bluetooth-anslutningen mellan den tidigare ljudkällan och ProD Bluetooth. För information om detta, läs anvisningarna i apparatens bruksanvisning.
 - Håll Play/Pause-knappen 3 intryckt på ProD Bluetooth i 3 sekunder. Kontrollysdioden 1 blinkar omväxlande rött, blått (kopplingsläge)
 - ▶ ProD Bluetooth kan nu upprätta en första anslutning till en annan ljudkälla (koppling, parkoppling - se punkt **5.2** på sidan **11**).



Det är endast möjligt att ansluta en aktiv enhet med ProD Bluetooth åt gången.

Byta till en redan kopplad ljudkälla

Bluetooth-modulen lagrar kopplingsinformationen från de senaste åtta ljudkällorna. För att ansluta Bluetooth-modulen med en färdigkopplad enhet, måste man därför genomföra dessa steg:

1. Avbryt Bluetooth-anslutningen mellan den tidigare ljudkällan och ProD Bluetooth. För information om detta, läs anvisningarna i apparatens bruksanvisning.
2. Upprätta manuellt en Bluetooth-anslutning mellan den nya ljudkällan och Bluetooth-modulen:
 - Välj "sentio.BT xxx" ur listan över kopplade enheter.



Det är endast möjligt att ansluta en aktiv enhet med ProD Bluetooth åt gången.

5.9. Svara på samtal vid uppspelning av musik

När det kommer ett samtal på den anslutna enheten kopplas det vidare till ProD Bluetooth samtidigt som man hör en ringsignal. För att svara på samtalet trycker du kort på framåtknappen 6. Vid det här laget stoppas automatiskt uppspelningen av musik och återupptas sedan när du har lagt på.



När kontrolllysdioden blinkar lila är mikrofonen på.

5.10. Använda taligenkänning

Beakta enhetens bruksanvisning. Beroende på vilka funktioner som är aktiverade kan man starta dessa via den inbyggda mikrofonen på ProD Bluetooth (t.ex. ringa kontakt, svara på samtal, spela upp nästa titel i spellistan, skapa påminnelser ...).

1. Håll framåtknappen 6 intryckt i 3 sekunder för att aktivera mikrofonen (push to talk).
 - ▶ Kontrolllysdioden 1 på ProD Bluetooth blinkar lila och det hörs en ljudsignal.

6. Rengöring och underhåll

6.1. Rengöring

WARNING!

Skador på produkten

Apparaten är skyddad mot stänkvatten, men apparaten kan skadas vid direkt kontakt med vatten.

- Doppa ALDRIG apparaten i vatten.
- Håll ALDRIG vatten över apparaten.
- Rengör inte apparaten med för mycket vatten.
- Rengör ALDRIG apparatens baksida själv utan lämna den till en elektriker.
- Öppna ALDRIG apparatens hölje.

1. Doppa en trasa i mild tvållösning.
2. Vrid ur trasan ordentligt.
3. Torka försiktigt av apparatens framsida.

6.2. Underhåll

ProD Bluetooth är underhållsfri.

7. Avfallshantering



- Ta hand om förpackningsmaterialet enligt gällande bestämmelser.
- Enheterna innehåller både återanvändbart material och skadliga ämnen. Släng inte en uttjänt produkt i hushållssoporna, utan lämna den till återvinning enligt gällande bestämmelser.

8. Problemlösning

<i>Fel</i>	<i>Orsak</i>	<i>Åtgärd</i>
En ljudkälla kan inte kopplas.	Ljudkällan är utom räckhåll för ProD Bluetooth.	Minska avståndet mellan ljudkälla och ProD Bluetooth.
	ProD Bluetooth är inte i kopplingsläge.	Håll Play/Pause-knappen 3 intryckt i 3 sekunder. ► Kontrolllysdioden 1 på ProD Bluetooth blinkar omväxlande rött, blått (kopplingsläge).
Ingen Bluetooth-anslutning kan upprättas mellan någon ljudkälla och ProD Bluetooth.	Ljudkällan är utom räckhåll för ProD Bluetooth.	Minska avståndet mellan ljudkälla och ProD Bluetooth.
	ProD Bluetooth är redan ansluten till en annan ljudkälla.	Koppla från anslutningen till denna andra ljudkälla.
Nästa titel spelas inte upp. Det fungerar inte att trycka på framåtknappen	ProD Bluetooth skickar kommandot till ljudkällan, men denna kan inte dra nytta av kommandot	Använd en annan ljudkälla
Det går inte att aktivera mikrofonen, trots att framåtknappen har varit intryckt i 3 sekunder	ProD Bluetooth skickar kommandot till ljudkällan, men denna kan inte dra nytta av kommandot	Kontrollera inställningarna för röstinmatning på ljudkällan.

9. Tekniska data

Omgivningsförhållanden

Förvaringstemperatur:	-25 °C till +70 °C
Omgivningstemperatur:	0 °C till +100 °C
Luftfuktighet:	Max. 99%
	Inte kondenserande

Mått

Mått:	79 x 103 x 36,6 mm
Dimensioner för fördjupningen	65 x 70 x 35 mm

Effekter (temperaturbeständig till min. 150 °C)

Anslutningskabel och förlängningskabel	min. 2 x 0,4 mm ²
Högtalarkablar (max. 3 m):	Min. 2 x 0,4 mm ²

Bluetooth

Version:	4.0
Räckvidd	upp till 30 m

Effekter (temperaturbeständig till min. 150 °C)

Anslutningskabel och förlängningskabel	min. 2 x 0,4 mm ²
Högtalarkablar (max. 3 m):	Min. 2 x 0,4 mm ²

Anslutningar

- Ljudanslutning för två högtalare
- Line-Out-anslutning
- Elkontakt med adapter

Högtalare

Impedans	2 x 8 Ω
Sinuseffekt:	2 x 3 W
P.M.P.O.-värde:	~ 15 W
Temperaturbeständighet	min. 120 °C

- ▶ Vi rekommenderar att högtalarna WC4-BT-SPK eller WC4-BT-EXC används. Annars finns det risk för att störande ljud (brus) uppstår.

Möjliga operativsystem för ljudkällan

Android från och med Version 1.5

iPad/iPhone från och med iOS 3.0

Nokia Symbian

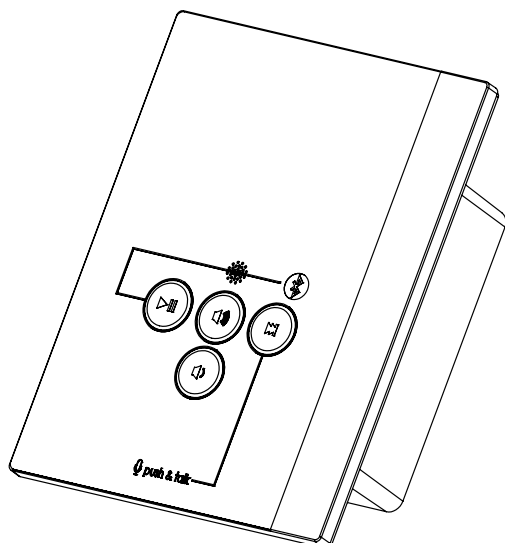
Linux

TIPS: Windows 7 stöder INTE alla funktioner. Det går inte att ställa in volymen med volymknapparna på Bluetooth-modulen.

ProD Bluetooth

PROD-BT-B / PROD-BT-W

ASENNUS- JA KÄYTTÖOHJEET
Suomi



FI

Sisällys

1. Sananen näistä ohjeista	3
2. TÄRKEITÄ OHJEITA turvallisuutesi varmistamiseksi	4
2.1. Käyttötarkoitus	4
2.2. Turvaohjeita	4
3. Tuotekuvaus	5
3.1. Toimituskokonaisuus	5
3.2. Tuotteen toiminnot	5
4. Asennus ja liittäminen	7
4.1. Asennuksen valmistelu	8
4.2. Laitteen liittäminen	9
4.3. Laitteen asennus	9
5. Käyttö	10
5.1. Hallintalaite	10
5.2. Ensimmäisen yhteyden luominen (liittäminen laitepariksi, Pairing)	11
5.3. Äänenvoimakkuuden säätäminen	12
5.4. Musiikin toiston keskeytys/jatkaminen	12
5.5. Musiikkikappaleen valinta	12
5.6. Yhteyden katkaiseminen	12
5.7. Yhteyden luominen uudelleen	13
5.8. Audiolähteen vaihtaminen	13
5.9. Puhelun vastaanottaminen musiikin toiston aikana	14
5.10. Puheentunnistuksen käyttäminen	14
6. Puhdistus ja huolto	15
6.1. Puhdistus	15
6.2. Huolto	15
7. Hävittäminen	15
8. Ongelmanratkaisu	16
9. Tekniset tiedot	17

1. Sananen näistä ohjeista

Lue tämä asennus- ja käyttöohje huolellisesti läpi ja säilytä opasta laitteen lähellä. Näin voit katsoa turvallisuuttasi sekä käyttöä koskevia tietoja milloin tahansa.



Asennus- ja käyttöohjeet saat myös Internet-sivujemme materiaalinla-
tausosiosta osoitteesta www.mediabank.harvia.com

Symbolit

Tässä asennus- ja käyttöohjeessa käytetään symboleja ja huomiosanoja, joiden merkitys on seuraava:

HUOMIO!

Tällä huomiosanalla varoitetaan esinevahingoista.



Tällä symbolilla merkitään vinkit ja hyödylliset ohjeet.

2. TÄRKEITÄ OHJEITA turvallisuutesi varmistamiseksi

Pro D bluetooth -moduuli on valmistettu yleisesti hyväksytyjen turvateknisten sääntöjen mukaisesti. Käytön yhteydessä voi silti ilmetä vaaroja. Noudata siksi seuraavia turvaohjeita ja yksittäisissä luvuissa annettuja erityisiä varoituksia.

2.1. Käyttötarkoitus

ProD Bluetooth on integroidulla mikrofonilla varustettu audiovahvistin. Laite on tarkoitettu musiikin toistamiseen Bluetooth-yhteensopivasta laitteesta.

Integroitu mikrofoni mahdollistaa puhelut käsiä käyttämättä ja puhesovellusten (esim. Siri, Google Now, ...) käytön, jos Bluetooth-yhteensopiva laite tukee näitä toimintoja.

Bluetooth-yhteensopivia laitteita ovat useimmat matkapuhelimet, tabletit tai kannettavat tietokoneet.

Muunlaisen käytön katsotaan poikkeavan tuotteen käyttötarkoituksesta.

Tuotteen käyttötarkoituksesta poikkeava käyttö voi johtaa tuotteen vaurioitumiseen, vakaviin vammoihin tai kuolemaan.

2.2. Turvaohjeita

- Laitteen parissa tehtävät asennus- ja liitäntätyöt saa suorittaa vain silloin, kun laite ei ole kytkettynä virtalähteeseen.
- Noudata asennustöiden yhteydessä tämän käyttöohjeen määräyksiä, koska muutoin tuote voi vaurioitua tai sen käyttöikä lyhentyä.
- ÄLÄ KOSKAAN avaa laitetta.
- Käännä oman turvallisuutesi vuoksi toimittajasi puoleen sellaisissa ongelmissa, joita ei käsitellä asennus- ja käyttöohjeessa kyllin tarkasti.

3. Tuotekuvaus

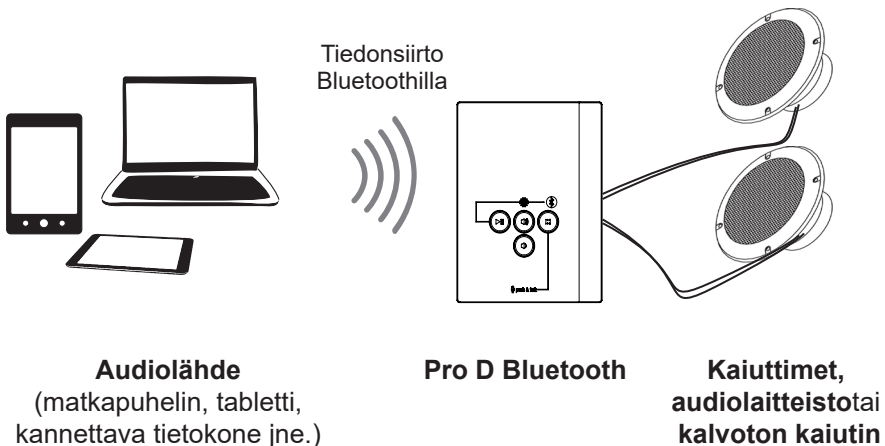
3.1. Toimituskokonaisuus

- ProD Bluetooth
- Pisteverkkolaite ja liitäntäjohto (1,5 m)
- Pisteverkkolaitteen liitäntäjohtojen jatkojohto (2 m)
- Asennusmateriaali (4 kpl puuruuvia (16 mm), kulmain hallintalaitteen avaamiseen)

3.2. Tuotteen toiminnot

ProD Bluetooth mahdollistaa musiikin kuuntelun saunassa tai infrapunahuoneessa. Musiikki välittyy tällöin Bluetooth-yhteyden avulla Bluetooth-yhteensopivasta laitteesta (= audiolähde) ProD Bluetooth -laitteeseen. Audiolähteenä voidaan käyttää kaikkia bluetooth-yhteensopivia laitteista kuten useimpia matkapuhelimia, tabletteja, kannettavia tietokoneita jne. Vahvistin on integroitu Bluetooth-laitteeseen valmiiksi.

Integroitu mikrofoni mahdollistaa Bluetooth-yhteensopivan laitteen puheohjauksen, jos laite tukee tätä toimintoa (esim. Siri, Google Now...).



Kuva 1: Tuotteen toiminto

Asennuspaikka

ProD Bluetooth -laitteen saa asentaa saunan sisä- ja ulkopuolelle. Tällöin on kuitenkin ehdottomasti noudatettava tätä asennusohjetta (katso **4. Asennus ja liitäntä** sivulla **7** ja **9. Tekniset tiedot** sivulla **17**).

Suosittelut lisävarusteet

Musiikin toistamiseen tarvitaan kaiuttimet. Valmistaja suosittelee seuraavien tuotteiden käyttöä:

<i>Tuotenumero</i>	<i>Nimitys</i>	<i>Huomaus</i>
WC4-BT-SPK	Kaiutinsarja	Tarkoitettu löylyhuoneeseen asennettavaksi
WC4-BT-EXC	Kalvoton kaiutin (sähkömagneettinen exciter-periaatteella toimiva kaiutin)	Asennetaan löylyhuoneen ulkopuolelle Ei sovi kaikkiin löylyhuoneisiin (seinärakenteen mukaan)

Häiriöäänien (kohinan) esiintyminen on mahdollista, mikäli käytetään muita kuin luettelossa ilmoitettuja kaiuttimia.

Huomio: Muiden kuin WC4-BT-SPK ja WC4-BT-EXC -kaiuttimien käytössä ilmenevät häiritsevät äänet (kohina) eivät kuulu takuun piiriin. Huomioi aina vaatimukset **9. Tekniset tiedot** sivulla **17**.

Toisto audiolaitteiston kautta

ProD Bluetooth -laitteessa on line-out-lähtö. Liitännän ansiosta voit toistaa musiikkia audiolaitteiston avulla, esim. wave.com4 sound&light -laitteen tai 3,5 mm:n line-in-liittimellä (aux-in-liitin) varustetun stereolaitteiston kautta.

Äänenvoimakkuuden säätö

ProD Bluetooth -laitteessa on valittavissa neljä äänenvoimakkuuden asetusta. Muut äänenvoimakkuuden säädöt tehdään audiolähteen (matkapuhelin, tabletti jne.) kautta.

4. Asennus ja liitäntä

- Jos otat seuraavat kohdat huomioon, voit asentaa laitteen saunan sisäpuolelle:
 - Asenna laite mahdollisimman etäälle kiukaasta, infrapunasäteilijöistä ja muista lämmönlähteistä.
 - ÄLÄ MISSÄÄN TAPAUKSESSA asenna laitetta suoraan kiukaan tai muun lämmönlähteen viereen.
 - Maksimikorkeus saunaan asennettaessa on 140 cm.
 - Maksimikorkeus infrapunasaunaan asennettaessa on 170 cm.
 - Laitteen takana ei saa olla eristysmateriaalia (esim. mineraalivillaa).
 - Ympäristövaatimuksia (ks. **9. Tekniset tiedot** sivulla **17**) on ehdottomasti noudatettava.
- Verkkoiliitäntän johtoa saa pidentää ainoastaan mukana olevalla jatkojohdolla.

4.1. Asennuksen valmistelu

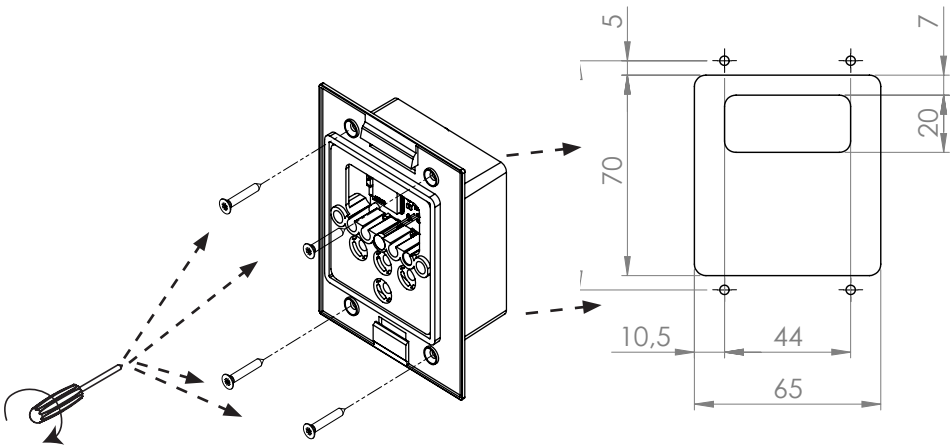
Huomaa **Kuva 2**.

HUOMIO!

Laitteen vauriot

- ProD Bluetooth on roiskevesisuojaattu (kotelointiluokka IPX4).
- ProD Bluetooth -laitteen parissa työskenneltäessä saa käyttää vain tavallista ruuvimeisseliä. Jos käytetään akkuruuvinväännintä, kotelo on vaarassa vaurioitua niin, ettei sitä voi enää korjata!

1. Leikkaa saunan seinään asennusaukko pistosahalla.
2. Vähimmäisasennussyvyys seinän aukolle on 35 mm.
3. Poista asennusaukosta mahdollinen erityismateriaali.
4. Vedä löylyhuoneen seinän liitosjohto asennusaukkoon ja kiinnitä se letku-kiristimillä.



Kuva 2: Asennus seinän aukkoon

R-	R+	L+	L-	V+	GND	R	GND	L
SPEAKER			+5V _{DC}		LINE OUT			

Kuva 3: Laitteen liittäminen (takaosa)

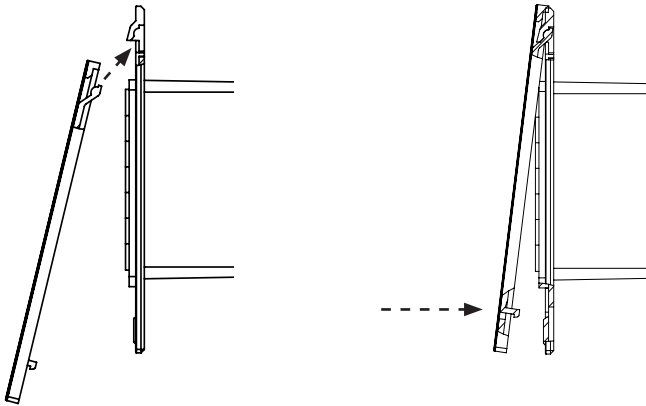
4.2. Laitteen liittäminen

Huomaa **Kuva 3**.

1. Liitä 2-napainen liitäntäjohto liittimiin, joissa on merkintä "5V_{DC}".
 - Liitä musta johto liittimeen, jossa on merkintä "GND" ja punainen johto liittimeen, jossa on merkintä "V+".
2. Yhdistä johto pistokeverkkolaitteen jakkiliittimellä.
3. Liitä kaiuttimen johdot (kork. 3 m) liittimiin, joissa on merkintä "SPEAKER": oikeanpuoleisen kaiuttimen johdot liittimiin "R", vasemman kaiuttimen johdot liittimiin "L".
 - Työnnä mustat johdot liittimiin, joissa on merkintä "-" ja punaiset johdot liittimiin, joissa on merkintä "+".
4. Jos haluat toistaa musiikkia audiolaitteiston kautta, yhdistä Bluetooth-moduulin lähtö "LINE OUT" audiolaitteiston line-in-liittimeen (aux-in-liitin). Käytä 150 °C:n lämpötilaa kestäväää johtoa (EI ole mukana toimituksessa).

4.3. Laitteen asennus

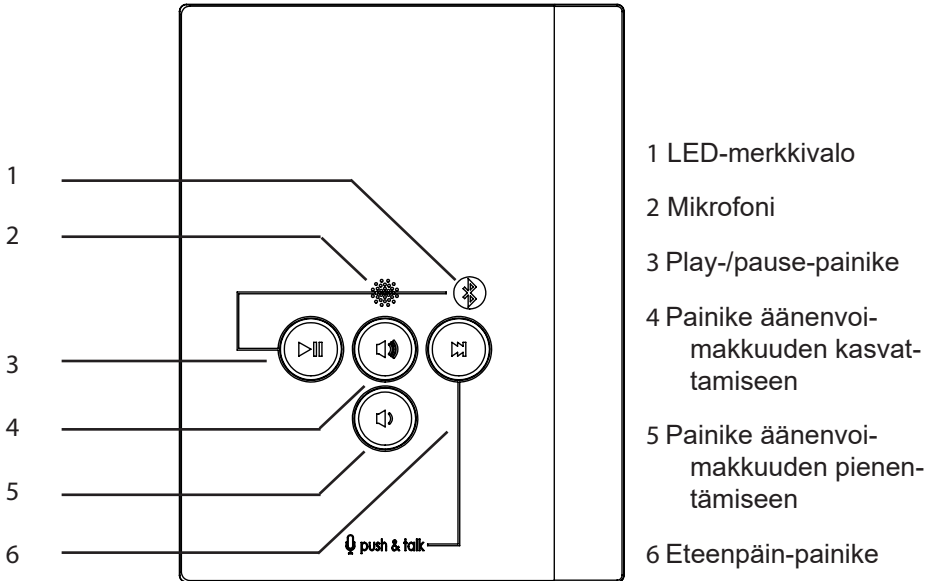
1. Aseta laite asennusaukkoon.
2. Kiinnitä laite reikien kautta neljällä mukana toimitetulla puuruuvilla saunatilän seinään.
3. Etulevy kiinnitetään koteloon kevyesti painamalla. Huolehdi siitä, että alempi kiinnityskoukku loksahtaa kiinni tuntuvasti.



Kuva 4: Etulevyn asennus

5. Käyttö

5.1. Hallintalaite



5.2. Ensimmäisen yhteyden luominen (liittäminen)



Noudata ehdottomasti audiolähteesi käyttöohjetta (matkapuhelin, tabletti jne.).

laitepariksi, Pairing)

1. Liitä ProD Bluetooth -laitteen pistokeverkkolaite pistorasiaan (230 V).
 - ▶ ProD Bluetooth -laitteen LED-merkkivalo 1 vilkkuu vuorotellen punaisena ja sinisenä noin 3 minuutin ajan (pariliitostila).
 - ▶ Pariliitostilan jälkeen ProD Bluetooth siirtyy valmiustilaan. ProD Bluetooth -laitteen LED-merkkivalo 1 vilkkuu hitaasti sinisenä.
 - ▶ Palaat takaisin yhdistämistilaan painamalla eteenpäin-painiketta 3 sekunnin ajan.

Jos audiolähteesi ei etsi automaattisesti lähistöltä Bluetooth-laitteita, käynnistä etsintä manuaalisesti esim. valitsemalla "Etsi laitteita" tai samaan tapaan nimetty toiminto.

2. Kytke audiolähde (matkapuhelin, tabletti jne.) päälle.
3. Kytke audiolähteen Bluetooth-toiminto päälle.
 - ▶ Useimmat laitteet etsivät automaattisesti muut Bluetooth-laitteet lähistöltä ja näyttävät ne.
 - ▶ ProD Bluetooth -laitteen tunnus audiolähteen näytössä on "sentio.BT xxx".
 - ▶ XXXX on laitteen mukainen tunnusnumero (esim. E2D)
4. Valitse audiolähteessä näkyvästä laiteluettelosta "sentio.BT xxx".
 - ▶ Laitte muodostaa ensimmäisen Bluetooth-yhteyden audiolähteen ja ProD Bluetooth -laitteen välille (= liittäminen laitepariksi/"pairing").
 - ▶ ProD Bluetooth -laitteen LED-merkkivalo 1 palaa sinisenä.
 - ▶ ProD Bluetooth on liitetty ja käyttövalmis.
5. Soita musiikkia audiolähteesi audiosoittimella.
 - ▶ Musiikki on kuultavissa ProD Bluetooth -laitteeseen liitettyistä kaiuttimista.

5.3. Äänenvoimakkuuden säätäminen

Muuta äänenvoimakkuutta ProD Bluetooth -laitteen äänenvoimakkuuden säätöpainikkeilla 4, 5.

ProD Bluetooth -laitteessa on valittavissa neljä äänenvoimakkuuden asetusta. Maksimiäänenvoimakkuus on saavutettu, kun säätöpainikkeen 4 painamisen jälkeen LED-merkkivalo 1 vilkkuu kolme kertaa. Minimiäänenvoimakkuus on saavutettu, kun säätöpainikkeen 5 painamisen jälkeen LED-merkkivalo 1 vilkkuu kolme kertaa.



Jos ProD Bluetooth -laitteen maksimiäänenvoimakkuus tuntuu liian pieneltä, kasvata äänenvoimakkuutta audiolähteestä. Jos ProD Bluetooth -laitteen minimiäänenvoimakkuus tuntuu liian suurelta, pienennä äänenvoimakkuutta audiolähteestä.

5.4. Musiikin toiston keskeytys/jatkaminen

Voit keskeyttää musiikin toiston ja jatkaa sitä keskeytyksen jälkeen seuraavilla tavoilla:

- ProD Bluetooth -laitteen play-/pause-painikkeilla 3.
- Audiolähteesi audiosoittimen play-/pause-painikkeilla.

5.5. Musiikkikappaleen valinta

Valitse musiikkikappale seuraavasti:

- ProD Bluetooth -laitteen eteenpäin-painikkeella 6.
- Audiolähteesi audiosoittimen eteenpäin-/taaksepäin-painikkeilla.

5.6. Yhteyden katkaiseminen

Audiolähteen (matkapuhelin, tabletti jne.) ja ProD Bluetooth -laitteen välisen yhteyden voi katkaista seuraavasti:

- Kytke audiolähteen Bluetooth-toiminto pois päältä.
- Irrota yhteys manuaalisesti audiolähteestä. Noudata tässä laitteesi käyttöohjeita.

5.7. Yhteyden luominen uudelleen

Bluetooth-yhteyden muodostaminen audiolähteen ja ProD Bluetooth -laitteen välille käynnistyy automaattisesti uudelleen, jos

- audiolähde on ollut ProD Bluetooth -laitteen kantaman ulkopuolella.
- audiolähteen Bluetooth-toiminto on ollut pois päältä ja toiminto kytketään uudelleen päälle.

Jos Bluetooth-yhteys audiolähteen ja ProD Bluetooth -laitteen välillä on katkaistu manuaalisesti audiolähteestä, Bluetooth-yhteys on myös muodostettava manuaalisesti uudelleen audiolähteestä käsin (katso kohta **5.2** sivulla **11**).

5.8. Audiolähteen vaihtaminen

Vaihtaminen uuteen audiolähteeseen (pariliitos vielä tekemättä)

Jos haluat yhdistää ProD Bluetooth -laitteen uuteen audiolähteeseen, toimi seuraavasti:

1. Katkaise bluetooth-yhteys tämänhetkisen audiolähteen ja ProD Bluetooth -laitteen välillä. Noudata tässä laitteesi käyttöohjeita.
 - Paina ProD Bluetooth -laitteen play-/pause-painiketta 3 3 minuutin ajan. LED-merkkivalo 1 palaa vuorotellen punaisena ja sinisenä (yhdistämistila)
 - ▶ ProD Bluetooth -laite pystyy muodostamaan yhteyden toiseen audiolähteeseen vain ensimmäisellä kerralla (pariliitoksen muodostamista varten, "pairing"-toiminto - katso kohta **5.2** sivulla **11**).



ProD Bluetooth -laitteeseen voi liittää ainoastaan yhden laitteen kerrallaan.

Vaihtaminen jo yhdistettyyn audiolähteeseen

Bluetooth-moduuli tallentaa kahdeksan viimeisen audiolähteen pariliitostiedot. Yhteyden muodostaminen Bluetooth-moduulin ja jo aiemmin yhdistetyn laitteen välille vaatii siten vain seuraavia toimenpiteitä:

1. Katkaise Bluetooth-yhteys parhaillaan käytettävän audiolähteen ja ProD Bluetooth -laitteen väliltä. Noudata tässä laitteesi käyttöohjeita.
2. Muodosta Bluetooth-yhteys manuaalisesti uuden audiolähteen ja Bluetooth-moduulin välille:
 - Valitse "sentio.BT xxx" yhdistettyjen laitteiden listasta.



ProD Bluetooth -laitteeseen voi liittää ainoastaan yhden laitteen kerrallaan.

5.9. Puhelun vastaanottaminen musiikin toiston aikana

Liitettyyn laitteeseen tuleva puhelu ohjautuu ProD Bluetooth -laitteeseen,. Soittoääni ilmaisee saapuvan puhelun. Jos haluat vastata puheluun, paina lyhyesti eteenpäin-painiketta 6. Musiikin toisto keskeytyy ja jatkuu automaattisesti puhelun jälkeen.



Mikrofoni on aktivoitu, kun LED-merkkivalo palaa violettina.

5.10. Puheentunnistuksen käyttäminen

Noudata tässä laitteesi käyttöohjeita. Aktivoiduista toiminnoista riippuen voit käynnistää puheentunnistuksen ProD Bluetooth -laitteen kautta (esim. puhelu yhteystietoihin tallennetulle henkilölle, vastaaneminen puheluun, seuraavan kapaleen valinta soittolistasta, muistutusten laatiminen...).

1. Aktivoi mikrofoni painamalla eteenpäin-painiketta 6 noin 3 sekunnin ajan (push to talk).
 - ▶ ProD Bluetooth -laitteen LED-merkkivalo 1 vilkkuu violettina ja kuulet merkkiäänän.

6. Puhdistus ja huolto

6.1. Puhdistus

HUOMIO!

Laitteen vauriot

Vaikka laite on roiskevesisuojaattu, se voi silti vaurioitua joutuessaan suoraan kosketukseen veden kanssa.

- ÄLÄ KOSKAAN upota laitetta veteen.
- Älä kaada laitteen päälle vettä.
- Älä puhdista laitetta liian kostealla liinalla.
- ÄLÄ puhdista laitteen takaosaa itse, vaan anna se sähköalan ammattilaisen tehtäväksi.
- ÄLÄ koskaan avaa laitteen koteloa.

1. Kasta puhdistusliina mietoon saippualliuokseen.
2. Väännä puhdistusliina kuivaksi.
3. Pyyhi laitteen etupuoli varovasti puhtaaksi.

6.2. Huolto

ProD Bluetooth on huoltovapaa.

7. Hävittäminen



- Hävitä pakkausmateriaali voimassaolevien määräysten mukaisesti.
- Laiteromussa on kierrätettäviä materiaaleja, mutta myös haitallisia aineita. Älä siis missään tapauksessa hävitä laiteromua sekajätteen mukana, vaan hävitä laite paikallisten voimassa olevien määräysten mukaisesti.

8. Ongelmanratkaisu

<i>Virhe</i>	<i>Syy</i>	<i>Korjaustoimenpide</i>
Pariliitos audio-lähteen kanssa ei onnistu.	Audiolähde on ProD Bluetooth -laitteen kantaman ulkopuolella.	Siirrä audiolähde ja ProD Bluetooth lähemmäksi toisiaan.
	ProD Bluetooth ei ole pariliitostilassa.	Paina play-/pause-painiketta 3 3 minuutin ajan. ▶ Bluetooth-moduulin LED-merkkivalo 1 palaa vuorotellen punaisena ja sinisenä (pariliitostila)
Bluetooth-yhteyden muodostaminen audiolähteen ja ProD Bluetooth -laitteen välille ei onnistu.	Audiolähde on ProD Bluetooth -laitteen kantaman ulkopuolella.	Siirrä audiolähde ja ProD Bluetooth lähemmäksi toisiaan.
	ProD Bluetooth on jo yhdistetty toiseen audiolähteeseen.	Katkaise yhteys toiseen audiolähteeseen.
Laite ei toista seuraavaamuusiikkikappaletta. ”Eteenpäin”-painikkeen painallus ei toimi	ProD Bluetooth lähettää komennon audiolähteeseen, mutta audiolähde ei pysty käsittelemään komentoa.	Käytä toista audiolähdettä
Mikrofoni ei aktivoidu, vaikka ”eteenpäin”-painiketta on painettu 3 sekuntia	ProD Bluetooth lähettää komennon audiolähteeseen, mutta audiolähe ei pysty käsittelemään komentoa.	Tarkasta audiolähteen puheentunnistuksen asetukset.

9. Tekniset tiedot

Ympäristövaatimukset

Varastointilämpötila:	-25 °C ... +70 °C
Ympäristön lämpötila:	0 °C ... +100 °C
Ilmankosteus:	maks. 99%
	ei-tiivistyvää

Mitat

Mitat:	79 x 103 x 36,6 mm
Aukon mitat	65 x 70 x 35 mm

Johdot (kestävät vähintään 150 °C:n lämpötilaa)

Liitosjohto ja jatkojohto	väh. 2 x 0,4 mm ²
Kaiuttimien johdot (maks. 3 m):	min. 2 x 0,4 mm ²

Bluetooth

Versio:	4.0
Kantama	enintään 30 m

Johdot (kestävät vähintään 150 °C:n lämpötilaa)

Liitosjohto ja jatkojohto	väh. 2 x 0,4 mm ²
Kaiuttimien johdot (maks. 3 m):	min. 2 x 0,4 mm ²

Liitännät

- Audioliitântä kahdelle kaiuttimelle
- Line-out-liitântä
- Pistokeverkkolaite adapterilla

Kaiutin

Impedanssi	2 x 8 Ω
Siniteho:	2 x 3 W
PMPO-arvo:	~ 15 W
Lämpötilan kestävyys	väh. 120 °C

- Suosittelemme kaiuttimien WC4-BT-SPK tai WC4-BT-EXC käyttöä, muutoin voi ilmetä häiritsevää melua (kohinaa).

Mahdolliset audiolähteiden käyttöjärjestelmät

Android versiosta 1.5 alkaen

iPad/iPhone versiosta iOS 3.0 alkaen

Nokia Symbian

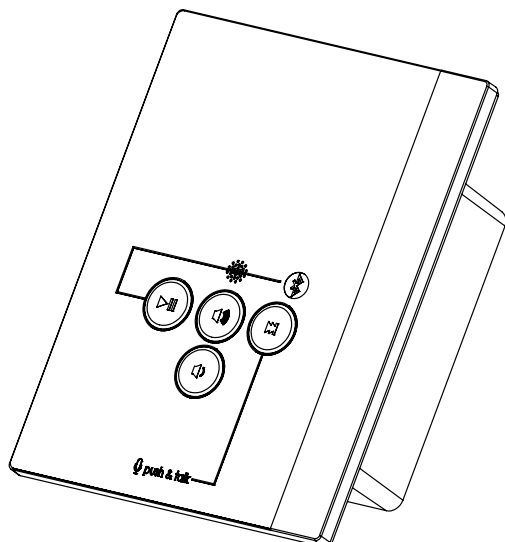
Linux

HUOMAUTUS: Windows 7 EI tue kaikkia toimintoja. Siten äänenvoimakkuutta ei ole mahdollista säätää Bluetooth-moduulin painikkeilla.

ProD Bluetooth

PROD-BT-B / PROD-BT-W

NÁVOD K MONTÁŽI A POUŽITÍ
Česky



CS

Obsah

1. O tomto návodu	3
2. Důležité pokyny pro vaši bezpečnost	4
2.1. Použití v souladu s určením	4
2.2. Bezpečnostní pokyny	4
3. Popis výrobku	5
3.1. Rozsah dodávky	5
3.2. Funkce výrobku	5
4. Montáž a připojení	7
4.1. Příprava montáže	8
4.2. Připojení zařízení	9
4.3. Montáž přístroje	9
5. Obsluha	10
5.1. Ovládací prvek	10
5.2. Sestavení prvního spojení (spárování, pairing)	11
5.3. Nastavení hlasitosti	12
5.4. Pozastavení/pokračování v přehrávání hudby	12
5.5. Výběr hudebního titulu	12
5.6. Přerušování spojení	12
5.7. Opětovné sestavení spojení	13
5.8. Změna zdroje audia	13
5.9. Převzetí volání během přehrávání hudby	14
5.10. Použití rozpoznávání řeči	14
6. Údržba a čištění	15
6.1. Čištění	15
6.2. Údržba	15
7. Likvidace	15
8. Řešení problémů	16
9. Technické údaje	17

1. O tomto návodu

Tento návod k montáži a použití si důkladně pročtěte a uschovejte jej v blízkosti přístroje. Tak si můžete vždy dodatečně přečíst informace o bezpečnosti a obsluze.



Tento návod k montáži a použití naleznete také v sekci ke stažení na našem webu na adrese www.mediabank.harvia.com

Symboly

V tomto návodu k montáži a použití se používají symboly a signální slova, které mají následující význam:

POZOR:

Tento signální symbol upozorňuje na věcné škody.



Tento symbol označuje tipy a užitečné pokyny.

2. Důležité pokyny pro vaši bezpečnost

Modul ProD Bluetooth je zkonstruován v souladu s uznávanými bezpečnostně-technickými normami. Při jejich používání však mohou přesto vznikat určitá rizika. Dodržujte proto následující bezpečnostní pokyny a zvláštní výstražné pokyny uvedené v jednotlivých kapitolách.

2.1. Použití v souladu s určením

Jednotka ProD Bluetooth představuje audio zesilovač s vestavěným mikrofonem. Slouží k přehrávání hudby ze zařízení, která jsou vybavena konektivitou Bluetooth.

Přes vestavěný mikrofon je možné normální řečí ovládat a dávat příkazy virtuálnímu asistentovi (např. Siri, Google Now,...), pokud dané zařízení s konektivitou Bluetooth tuto funkci podporuje.

Zařízení s technologií Bluetooth jsou mimo jiné většina mobilních telefonů, tabletů nebo notebooků.

Jakékoli jiné použití nad tento rámec se považuje za použití v rozporu s určením. Použití v rozporu s určením může vést k poškození výrobku, vážným zraněním nebo smrti.

2.2. Bezpečnostní pokyny

- Montáž a připojení zařízení se smí provádět pouze ve stavu odpojení od napětí.
- Při montáži dodržujte zadání v tomto návodu k použití, protože se výrobek v opačném případě může poškodit nebo se může zkrátit jeho životnost.
- Příklad NIKDY neotevírejte.
- V případě problémů, které nejsou dostatečně podrobně řešeny v návodu k montáži a použití, se v zájmu vlastní bezpečnosti obraťte na svého dodavatele.

3. Popis výrobku

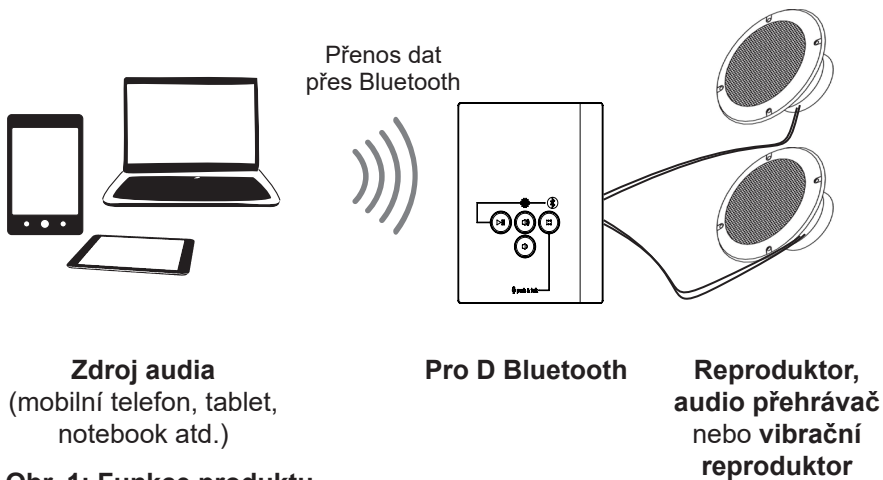
3.1. Rozsah dodávky

- ProD Bluetooth
- Síťový zdroj s přípojevacím kabelem (1,5 m)
- Prodlužovací kabel pro přípojevací vedení k síťovému zdroji (2 m)
- Montážní materiál (4 ks šroubů do dřeva (16 mm), úhelník k otevření ovládacího dílu)

3.2. Funkce výrobku

Jednotka ProD Bluetooth umožňuje přehrávat hudbu i v sauně nebo infračervené kabině. Hudba je přitom přenášena spojením Bluetooth ze zařízení podporujícího technologii Bluetooth (zdroj audia) přímo do jednotky ProD Bluetooth. Jako zdroj audia lze používat všechna zařízení podporující technologii Bluetooth, např. většinu mobilních telefonů, tabletů, notebooků atd. Zesilovač je již zabudován v modulu Bluetooth.

Vestavěný mikrofon umožňuje ovládání zařízení s podporou Bluetooth běžnou řečí až do té míry, v jaké je tato funkce daným zařízením podporována (např. Siri, Google Now, ...).



Obr. 1: Funkce produktu

Místo montáže

Jednotku ProD Bluetooth je možné namontovat uvnitř i vně sauny, je však nutné při tom přesně dodržet tento montážní návod (viz část **4. Montáž a připojení** na straně **7** a část **9. Technické údaje** na straně **17**).

Doporučené příslušenství

K přehrávání hudby jsou zapotřebí reproduktory. Výrobce doporučuje použití následujících výrobků:

Číslo položky	Označení	Poznámka
WC4-BT-SPK	Souprava reproduktorů	Vhodná k montáži do saunové kabiny
WC4-BT-EXC	Vibrační reproduktor (Elektromagnetický budič)	Montuje se vně saunové kabiny Není vhodný pro všechny saunové kabiny (v závislosti na provedení stěny)

Pokud se použijí jiné než uvedené reproduktory, může se vyskytnout rušivý hluk (šum).

Pozor: Při použití jiných reproduktorů než WC4-BT-SPK a WC4-BT-EXC netrvá při problémech s ohledem na rušivý hluk (šum) žádný nárok ze záruky. Bezpodmínečně dbejte požadavků v části **9. Technické údaje** na straně **17**.

Přehrávání přes audio zařízení

Jednotka ProD Bluetooth je vybavena jedním zvukovým výstupem Line Out. Pomocí tohoto výstupu lze přehrávat hudbu na audio zařízení jako např. wave.com4 sound&light nebo na stereo přehrávači, pokud jsou tato zařízení vybavena 3,5 mm zdířkou zvukového vstupu (Aux In).

Ovládání hlasitosti

Hlasitost lze na jednotce ProD Bluetooth nastavovat ve čtyřech stupních. Další nastavení hlasitosti je nutné regulovat prostřednictvím zdroje zvuku (na mobilnímu telefonu, tabletu atd.).

4. Montáž a připojení

- Příklad lze montovat v sauně pouze při dodržení těchto bodů:
 - Příklad namontujte pokud možno v dostatečné vzdálenosti od saunových kamen, infračervených zářičů nebo jiných zdrojů tepla.
 - Příklad V ŽÁDNÉM PŘÍPADĚ nemontujte nad saunovými kamny nebo jiným zdrojem tepla ani přímo k nim.
 - Maximální montážní výška uvnitř saunové kabiny je 140 cm.
 - Maximální montážní výška uvnitř infračervené kabiny je 170 cm.
 - Za přístrojem se nesmí nacházet žádný izolační materiál (např. minerální vlna).
 - Je nutné bezpodmínečně dodržovat okolní podmínky (viz část **9. Technické údaje** na straně **17**).
- K prodloužení síťového připojovacího kabelu se smí používat pouze přibalený prodlužovací kabel.

4.1. Příprava montáže

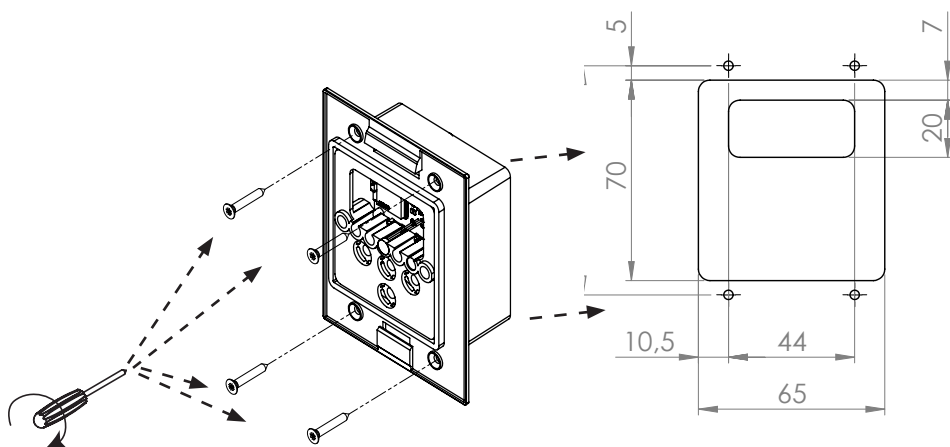
Dávejte pozor na **Obr. 2**

POZOR!

Poškození přístroje

- Jednotka ProD Bluetooth je chráněna proti odstříkující vodě (typ ochrany IPX4).
- Práce na jednotce ProD Bluetooth se smí provádět jen obyčejným šroubovákem. Při použití akumulátorového šroubováku hrozí riziko neopravitelného poškození pláště!

1. Vyřízněte montážní otvor pomocí přímočaré pily do stěny kabiny.
2. Minimální hloubka montážního otvoru pro výřez do stěny je 35 mm.
3. Z montážního otvoru odstraňte případně se vyskytující izolační materiál.
4. Připojovací kabel uložte ve stěně saunové kabiny k montážnímu otvoru a zajistěte jej kabelovými příchytkami.



Obr. 2: Montáž do výřezu ve stěně

R	-	R	+	L	+	L	-	V	+	GND	R	GND	L
SPEAKER				+5V _{DC}		LINE OUT							

Obr. 3: Připojení zařízení (zadní strana)

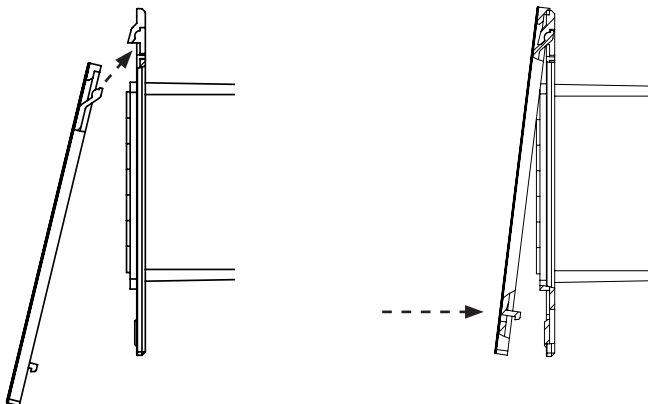
4.2. Připojení zařízení

Dávejte pozor na **Obr. 3**.

1. Připojte 2pólový kabel ke svorkám s označením „**5V_{DC}**“.
 - Přitom zasuňte černý kabel do svorky s označením „**GND**“ a červený kabel do svorky s označením „**V+**“.
2. Kabel připojte do zdíčky na síťovém zdroji.
3. Připojte kabely reproduktoru (max. 3 m) na svorky s označením „**SPEAKER**“: kabely pravého reproduktoru na svorky „**R**“, kabely levého reproduktoru na svorky „**L**“.
 - Černé kabely přitom zastrčte do svorek s označením „**-**“ a červené kabely do svorek s označením „**+**“.
4. Pokud si k přehrávání hudby přejete používat audio zařízení, zapojte výstup „**LINE OUT**“ modulu Bluetooth do zdíčky Line In (zdíčky Aux In) audio zařízení. Použijte k tomu kabel odolný teplotám do 150 °C (NENÍ součástí dodávky).

4.3. Montáž přístroje

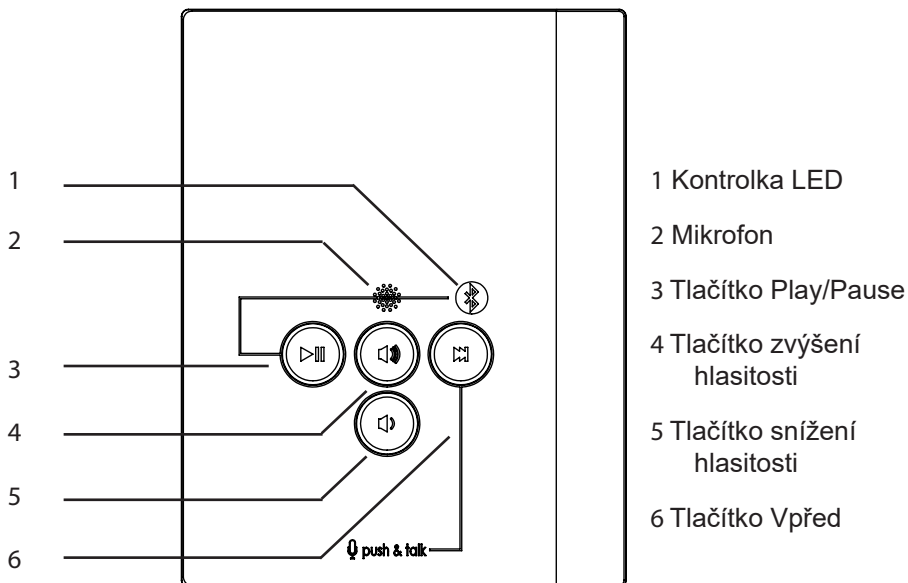
1. Přístroj vložte do montážního otvoru.
2. Přišroubujte zařízení přes upevňovací otvory pomocí přiložených šroubů do dřeva na stěnu kabiny.
3. Přední panel se na plášť nasadí lehkým zatlačením. Ujistěte se, že spodní upevňovací hák citelně zaskočí na místo.



Obr. 4: Montáž čelního panelu

5. Obsluha

5.1. Ovládací prvek



5.2. Sestavení prvního spojení (spárování, pairing)



Bezpodmínečně dodržujte také návod k použití zdroje audia (mobilní telefon, tablet atd.).

1. Síťový zdroj modulu ProD Bluetooth zapojte do zásuvky (230 V).
 - ▶ Kontrolka LED 1 na jednotce ProD Bluetooth bude po dobu zhruba 3 minut blikat střídavě červeně a modře (režim párování).
 - ▶ Poté přejde režim párování jednotky ProD Bluetooth do pohotovostního režimu Standby. Kontrolka LED 1 na jednotce ProD Bluetooth bude blikat pomalu modře.
 - ▶ Stisknutím tlačítka Vpřed po dobu 3 sekund vyvoláte opět režim párování.
2. Zapněte zdroj audia (mobilní telefon, tablet atd.).

Pokud váš zdroj audia nebude automaticky vyhledávat zařízení Bluetooth v okolí, spusťte vyhledávání ručně, např. funkcí „Vyhledat zařízení“ nebo podobně nazvanou funkcí.

3. Zapněte funkci Bluetooth zdroje audia.
 - ▶ Většina přístrojů automaticky vyhledává jiná zařízení Bluetooth v okolí a zobrazí je.
 - ▶ Jednotka ProD Bluetooth bude na audio zdroji zobrazena jako „sentio.BT xxx“.
 - ▶ xxx zastupuje identifikační číslo konkrétního zařízení (např. E2D)
4. Ze seznamu zařízení vyberte „sentio.BT xxx“, které se zobrazuje na zdroji audia.
 - ▶ Sestaví se první spojení Bluetooth mezi zdrojem audia a jednotkou ProD Bluetooth (= spárování/pairing).
 - ▶ Kontrolka LED 1 na jednotce ProD Bluetooth bude svítit modře.
 - ▶ Jednotka ProD Bluetooth je spojena a provozuschopná.
5. Hudbu lze přehrávat pomocí audio přehrávače zdroje audia.
 - ▶ Výstup hudby jde přes reproduktory připojené k jednotce ProD Bluetooth.

5.3. Nastavení hlasitosti

Hlasitost se mění pomocí tlačítek zvýšení/snížení hlasitosti 4, 5 na jednotce ProD Bluetooth.

Hlasitost lze na jednotce ProD Bluetooth nastavovat ve čtyřech stupních. Maximální hlasitosti je dosaženo, když po stisknutí tlačítka 4 třikrát zabliká kontrolka 1. Minimální hlasitosti je dosaženo, když po stisknutí tlačítka 5 třikrát zabliká kontrolka 1.



Pokud se vám i nejvyšší stupeň hlasitosti jednotky ProD Bluetooth zdá být příliš potichu, zvyšte hlasitost na zdroji audia. Pokud se vám i nejnižší stupeň hlasitosti jednotky ProD Bluetooth zdá být příliš hlasitý, snižte hlasitost na zdroji audia.

5.4. Pozastavení/pokračování v přehrávání hudby

Chcete-li přehrávání hudby pozastavit nebo poté v něm opět pokračovat, máte následující možnosti:

- Použijte tlačítko Play/Pause 3 na jednotce ProD Bluetooth.
- Použijte tlačítko Play/Pause audio přehrávače na zdroji audia.

5.5. Výběr hudebního titulu

Hudební titul lze vybrat jednou z těchto možností:

- Použijte tlačítko Vpřed 6 na modulu Bluetooth.
- Použijte tlačítka Vpřed/Vzad audio přehrávače na zdroji audia.

5.6. Přerušování spojení

Chcete-li přerušit spojení Bluetooth mezi zdrojem audia (mobilní telefon, tablet atd.) a jednotkou ProD Bluetooth, máte následující možnosti:

- Vypněte funkci Bluetooth zdroje audia.
- Spojení ručně odpojte na zdroji audia. Dodržujte přitom návod k použití zařízení.

5.7. Opětovné sestavení spojení

Spojení Bluetooth mezi zdrojem audia a jednotkou ProD Bluetooth se automaticky opět sestaví, pokud

- se zdroj audia nacházel nějakou dobu mimo dosah modulu Bluetooth.
- funkce Bluetooth zdroje audia byla vypnuta a opět se zapne.

Pokud jste spojení Bluetooth mezi zdrojem audia a jednotkou ProD Bluetooth přerušili manuálně na zdroji audia, je nutné je obnovit rovněž manuálně na zdroji audia (viz část 5.2 na straně 11).

5.8. Změna zdroje audia

Přepnutí na nový (dosud nespárovaný) zdroj audia

Pokud si jednotku ProD Bluetooth přejete spojit s novým zdrojem audia, postupujte takto:

1. Přerušte spojení Bluetooth mezi dosavadním zdrojem audia a jednotkou ProD Bluetooth. Dodržujte přitom návod k použití zařízení.
 - Podržte stisknuté tlačítko Play/Pause 3 na jednotce ProD Bluetooth po dobu 3 sekund. Kontrolka LED 1 bude blikat střídavě červeně a modře (režim párování).
 - ▶ Jednotka ProD Bluetooth může nyní sestavit první spojení s jiným zdrojem audia (spárování, pairing - viz část 5.2 na straně 11).



V jednom okamžiku je možné mít připojené k jednotce ProD Bluetooth pouze jedno aktivní zařízení.

Přepnutí na již spárovaný zdroj audia

Modul Bluetooth uloží informace o spárování posledních osmi zdrojů audia. Ke spojení modulu Bluetooth s již spárovaným zařízením je proto nutné provést následující kroky:

1. Přerušete spojení Bluetooth mezi dosavadním zdrojem audia a jednotkou ProD Bluetooth. Dodržujte přitom návod k použití zařízení.
2. Sestavte manuálně spojení Bluetooth mezi novým zdrojem audia a modulem Bluetooth:
 - Ze seznamu spárovaných zařízení vyberte „sentio.BT xxx“.



V jednom okamžiku je možné mít připojené k jednotce ProD Bluetooth pouze jedno aktivní zařízení.

5.9. Převzetí volání během přehrávání hudby

Příchozí volání na připojené zařízení bude předáno dál na jednotku ProD Bluetooth a oznámeno pomocí volacího signálu. Chcete-li příchozí volání přijmout, stiskněte krátce tlačítko Vpřed 6. Poté bude přehrávání hudby automaticky přerušeno a po skončení hovoru opět obnoveno.



Bliká-li kontrolka LED fialově, je aktivní mikrofon.

5.10. Použití rozpoznávání řeči

Dodržujte návod k použití zařízení. Vždy podle aktivovaných funkcí je možné tyto vyvolat přes vestavěný mikrofon jednotky ProD Bluetooth (např. zavolat někomu z kontaktů, přijmout příchozí hovor, přehrát následující titul ze seznamu skladeb, nastavit připomenutí, ...).

1. Stiskněte tlačítko Vpřed 6 a podržte stisknuté po dobu 3 sekund, abyste aktivovali mikrofon (push to talk).
 - Kontrolka LED 1 na jednotce ProD Bluetooth začne fialově blikat a zazvoní signální tón.

6. Údržba a čištění

6.1. Čištění

POZOR:

Poškození přístroje

Přístroj je chráněn proti stříkající vodě, ale přímý kontakt s vodou může přístroj poškodit.

- Přístroj NIKDY neponořujte do vody.
- Přístroj nikdy nepolévejte vodou.
- Přístroj nečistěte za použití příliš vlhkých pomůcek.
- Zadní stranu přístroje V ŽÁDNÉM PŘÍPADĚ nečistěte sami, ale tento úkon svěťte elektrotechnikovi.
- NIKDY neotevírejte kryt přístroje

1. Namočte utěrku do jemného roztoku čisticího prostředku.
2. Utěrku dobře vyždímejte.
3. Opatrně otřete přední stranu zařízení.

6.2. Údržba

Jednotka ProD Bluetooth je bezúdržbová.

7. Likvidace



- Obalové materiály zlikvidujte podle směrnic platných pro likvidaci.
- Stará zařízení obsahují recyklovatelné materiály, ale i škodlivé látky. Stará zařízení proto v žádném případě neodkládejte do odpadu, ale zlikvidujte je podle místních platných předpisů.

8. Řešení problémů

<i>Chyba</i>	<i>Příčina</i>	<i>Náprava</i>
Zdroj audia nelze spárovat.	Zdroj audia se nachází mimo dosah jednotky ProD Bluetooth.	Zmenšete vzdálenost mezi zdrojem audia a jednotkou ProD Bluetooth.
	Jednotka ProD Bluetooth není v režimu párování.	Podržte stisknuté tlačítko Play/Pause 3 po dobu 3 sekund. ► Kontrolka LED 1 na modulu Bluetooth bliká střídavě červeně a modře (režim párování).
Spojení Bluetooth mezi zdrojem audia a jednotkou ProD Bluetooth nelze navázat.	Zdroj audia se nachází mimo dosah jednotky ProD Bluetooth.	Zmenšete vzdálenost mezi zdrojem audia a jednotkou ProD Bluetooth.
	Jednotka ProD Bluetooth je již spárována s jiným zdrojem audia.	Přerušte spojení s tímto jiným zdrojem audia.
Následující hudební titul nebude přehrán. Stisknutí tlačítka „Vpřed“ nefunguje	Jednotka ProD Bluetooth odesílá příkaz zdroji audia, ale ten nemůže příkaz provést	Použijte jiný zdroj audia
Mikrofon nelze aktivovat i přes 3sekundové tisknutí tlačítka „Vpřed“	Jednotka ProD Bluetooth odesílá příkaz zdroji audia, ale ten nemůže příkaz provést	Zkontrolujte nastavení hlasového ovládání na zdroji audia.

9. Technické údaje

Okolní podmínky

Teplota skladování:	-25 °C až +70 °C
Okolní teplota:	0 °C až +100 °C
Vlhkost vzduchu:	max. 99% nekondenzující

Rozměry

Rozměry:	79 x 103 x 36,6 mm
Rozměry	65 x 70 x 35 mm

Vedení (tepelně odolná min. do 150 °C)

Připojovací a prodlužovací kabel	min. 2 x 0,4 mm ²
Kabely reproduktorů (max. 3 m):	min. 2 x 0,4 mm ²

Bluetooth

Verze:	4.0
Dosah	do 30 m

Vedení (tepelně odolná min. do 150 °C)

Připojovací a prodlužovací kabel	min. 2 x 0,4 mm ²
Kabely reproduktorů (max. 3 m):	min. 2 x 0,4 mm ²

Přípojky

Připojení audia pro dva reproduktory
Přípojka Line Out
Síťový zdroj s adaptérem

Reproduktor

Impedance	2 x 8 Ω
Sinusový výkon:	2 x 3 W
Hodnota P.M.P.O.:	~ 15 W
Teplotní odolnost	min. 120 °C

- ▶ Doporučuje se použití reproduktorů WC4-BT-SPK nebo WC4-BT-EXC, jinak se může vyskytnout rušivý hluk (šum).

Možné provozní systémy pro zdroj audia

Android od verze 1.5

iPad/iPhone od iOS 3.0

Nokia Symbian

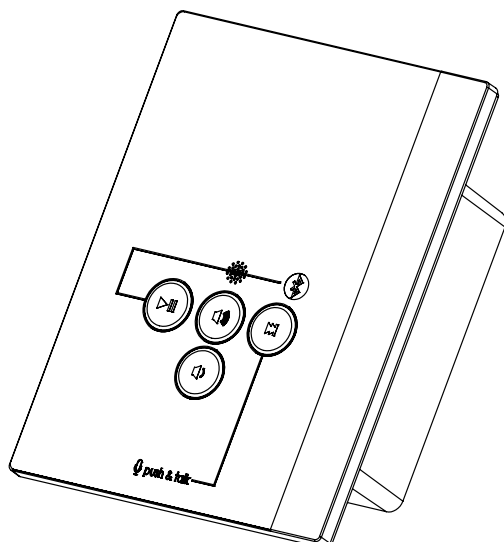
Linux

UPOZORNĚNÍ: Windows 7 NEPODPORUJE úplný rozsah funkcí. Tím není možné nastavit hlasitost pomocí tlačítek zvýšení/snížení hlasitosti na modulu Bluetooth.

ProD Bluetooth

PROD-BT-B / PROD-BT-W

MANUAL DE MONTAGEM E OPERAÇÃO
Português



PT

Índice

1. Sobre este manual	3
2. Indicações importantes sobre a sua segurança	4
2.1. Utilização prevista	4
2.2. Indicações de segurança	4
3. Descrição do produto	5
3.1. Volume de fornecimento	5
3.2. Funções do produto	5
4. Montagem e ligação	7
4.1. Preparar a montagem	8
4.2. Ligar o aparelho	9
4.3. Montar o aparelho	9
5. Operação	10
5.1. Elemento de comando	10
5.2. Estabelecer a primeira ligação (emparelhamento)	11
5.3. Ajustar o volume	12
5.4. Colocar em pausa/continuar a reprodução de música	12
5.5. Selecionar faixa de música	12
5.6. Interromper a ligação	12
5.7. Estabelecer uma nova ligação	13
5.8. Mudar de fonte de áudio	13
5.9. Atender uma chamada durante a reprodução de música	14
5.10. Utilizar o reconhecimento de voz	14
6. Limpeza e manutenção	15
6.1. Limpeza	15
6.2. Manutenção	15
7. Eliminação	15
8. Resolução de problemas	16
9. Dados técnicos	17

1. Sobre este manual

Leia atentamente o manual de montagem e operação e guarde-o nas proximidades do aparelho. Desta forma, pode ler as informações sobre a sua segurança e a operação a qualquer momento.



Este manual de montagem e operação também está disponível na área de transferências do nosso website em www.mediabank.harvia.com

Símbolos

Neste manual de montagem e operação são utilizados símbolos e palavras de sinalização que têm os significados seguintes:

ATENÇÃO!

Esta palavra de sinalização alerta-o para danos materiais.



Este símbolo identifica dicas e indicações úteis.

2. Indicações importantes sobre a sua segurança

O módulo ProD Bluetooth foi produzido de acordo com as regras reconhecidas no domínio da segurança. No entanto, podem surgir situações de perigo durante a utilização. Por conseguinte, respeite as indicações de segurança e as advertências específicas dos vários capítulos.

2.1. Utilização prevista

O ProD Bluetooth é um amplificador de áudio com microfone integrado. É utilizado para reproduzir música a partir de um aparelho compatível com Bluetooth. O microfone integrado permite uma comunicação “mãos livres” e o acesso a um assistente linguístico (por exemplo, Siri, Google Now, etc.), desde que o aparelho compatível com Bluetooth suporte esta função.

Os aparelhos compatíveis com Bluetooth incluem, entre outros, a maioria dos telemóveis, tablets ou computadores portáteis.

Qualquer utilização que não corresponda à utilização prevista é considerada incorreta. Uma utilização incorreta pode levar a danos no produto, a ferimentos graves ou mesmo à morte.

2.2. Indicações de segurança

- Os trabalhos de montagem e de ligação só podem ser realizados se o aparelho estiver isento de tensão.
- Respeite as especificações deste manual de operação durante a montagem, caso contrário, o produto poderá ficar danificado ou a sua vida útil poderá diminuir.
- NUNCA abra o aparelho.
- Se surgirem problemas que não sejam tratados de modo suficientemente abrangente no manual de montagem e operação, para sua própria segurança, entre em contacto com os fornecedores.

3. Descrição do produto

3.1. Volume de fornecimento

- ProD Bluetooth
- Ficha de alimentação com cabo de ligação (1,5 m)
- Cabo de extensão para o fio de ligação destinado à ficha de alimentação (2 m)
- Material de montagem (4 parafusos de madeira (16 mm), esquadro para abrir a unidade de comando)

3.2. Funções do produto

O ProD Bluetooth permite reproduzir música na sauna ou na cabina de infravermelhos. Através de uma ligação Bluetooth, a música é transferida de um aparelho compatível com Bluetooth (=fonte de áudio) para o ProD Bluetooth. Como fonte de áudio, podem ser utilizados todos os aparelhos compatíveis com Bluetooth, como a maioria dos telemóveis, tablets, computadores portáteis, etc. O amplificador já se encontra integrado no módulo Bluetooth.

O microfone integrado permite controlar o aparelho compatível com Bluetooth por voz, desde que o aparelho suporte esta função (por exemplo, Siri, Google Now, etc.).

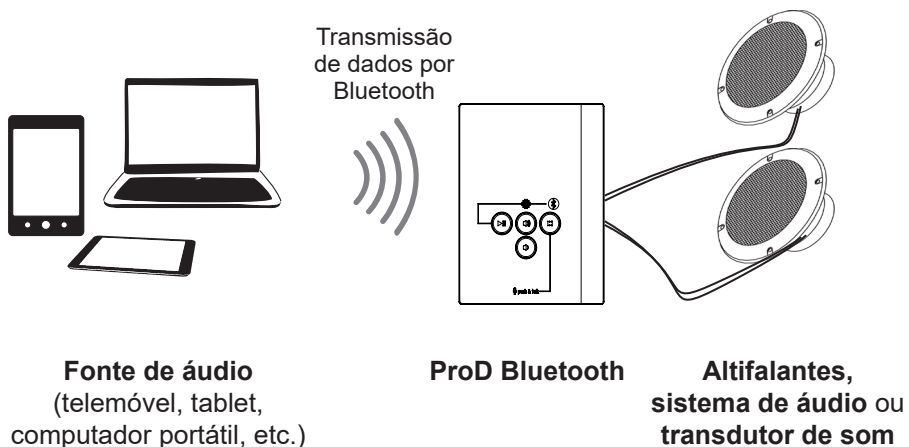


Fig. 1: Funcionamento do produto

Local de montagem

O ProD Bluetooth pode ser montado dentro e fora da sauna, contudo, as especificações deste manual de montagem devem ser rigorosamente respeitadas (consulte **4. Montagem e ligação** na página **7** e **9. Dados técnicos** na página **17**).

Acessórios recomendados

Para reproduzir música, é necessário utilizar altifalantes. O fabricante recomenda a utilização dos seguintes produtos:

Número de artigo	Designação	Observação
WC4-BT-SPK	Conjunto de altifalantes	Adequado para a instalação na cabina de sauna
WC4-BT-EXC	Transdutor de som (excitador eletromagnético)	É montado fora da cabina de sauna. Não é adequado a todas as cabinas de sauna (depende da construção da parede)

se forem utilizados outros altifalantes que não os enumerados, podem surgir ruídos incómodos (barulhos).

Atenção: se utilizar outros altifalantes que não o WC4-BT-SPK e o WC4-BT-EXC, perde o direito de garantia no caso de problemas relativamente a ruídos incómodos (barulhos). Os requisitos em **9. Dados técnicos** na página **17** devem ser rigorosamente cumpridos.

Reprodução através de sistema de áudio

O ProD Bluetooth dispõe de uma saída Line Out. Assim, a música também pode ser reproduzida num sistema de áudio, por exemplo, o wave.com4 sound&light, ou num sistema de estéreo, desde que o sistema de estéreo possua um conector Line In (conector Aux In) de 3,5 mm.

Controlo de volume

O volume pode ser ajustado em 4 níveis no ProD Bluetooth. As outras definições de volume são efetuadas através da fonte de áudio (telemóvel, tablet, etc.)

4. Montagem e ligação

- Observe os seguintes pontos para poder montar o aparelho dentro da sauna:
 - De preferência, monte o aparelho afastado do aquecedor da sauna, de emissores de infravermelhos ou de outras fontes de calor.
 - NUNCA monte o aparelho em cima ou imediatamente ao lado do aquecedor da sauna ou de uma outra fonte de calor.
 - A altura máxima de montagem numa cabina de sauna é de 140 cm.
 - A altura máxima de montagem numa cabina de infravermelhos é de 170 cm.
 - Não pode haver material de isolamento (por exemplo, lã mineral) atrás do aparelho.
 - As condições ambientais (consulte **9. Dados técnicos** na página **17**) devem ser rigorosamente cumpridas.
- Para prolongar o cabo de alimentação elétrica, só pode ser utilizado o cabo de extensão fornecido.

4.1. Preparar a montagem

Observe a Fig. 2.

ATENÇÃO!

Danos no aparelho

- O ProD Bluetooth está protegido contra salpicos de água (grau de proteção IPX4).
- Os trabalhos no ProD Bluetooth só podem ser realizados com uma chave de fendas normal. Se for utilizada uma aparafusadora sem fios, existe o risco de danificar a caixa irremediavelmente!

1. Corte a abertura de montagem com uma serra na parede da cabina.
2. A profundidade de instalação mínima para uma abertura de parede é de 35 mm.
3. Retire quaisquer materiais de isolamento que possam estar na abertura de montagem.
4. Instale o cabo de ligação na parede da cabina de sauna para a abertura de montagem e fixe o cabo de ligação com braçadeiras.

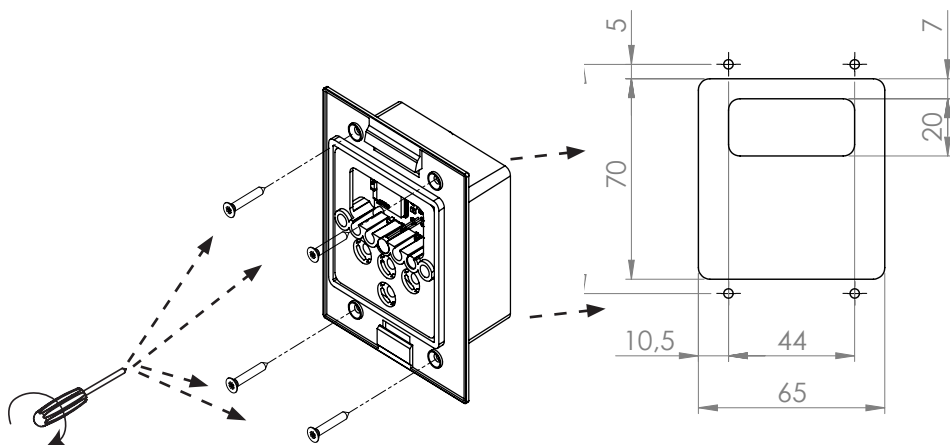


Fig. 2: Montagem na abertura de parede

R	-	R	+	L	+	L	-	V	+	GND	R	GND	L
SPEAKER				+5V _{DC}		LINE OUT							

Fig. 3: Ligação do aparelho (parte de trás)

4.2. Ligar o aparelho

Observe a **Fig. 3**.

1. Ligue o cabo de ligação de 2 polos aos terminais com a designação “5VDC”.
 - Insira o cabo preto no terminal com a designação “GND” e o cabo vermelho no terminal com a designação “V+”.
2. Ligue o cabo ao conector da ficha de alimentação.
3. Ligue os cabos dos altifalantes (máx. 3 m) aos terminais com a designação “SPEAKER”: os cabos do altifalante direito com os terminais “R”, os cabos do altifalante esquerdo com os terminais “L”.
 - Insira os cabos pretos nos terminais com a designação “-” e os cabos vermelhos nos terminais com a designação “+”.
4. Se quiser utilizar um sistema de áudio para reproduzir música, ligue a saída “LINE OUT” do módulo Bluetooth ao conector Line In (conector Aux In) do sistema de áudio. Para o efeito, utilize um cabo que seja resistente à temperatura de 150 °C (NÃO incluído).

4.3. Montar o aparelho

1. Insira o aparelho na abertura de montagem.
2. Utilizando os respetivos orifícios, aparafuse bem o aparelho na parede da cabina com os quatro parafusos de madeira fornecidos.
3. A placa frontal é instalada na caixa, aplicando uma ligeira pressão. Certifique-se de que o gancho de fixação inferior fica bem encaixado.

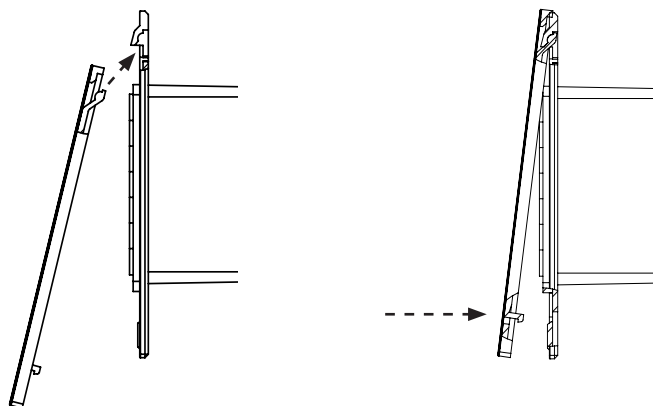
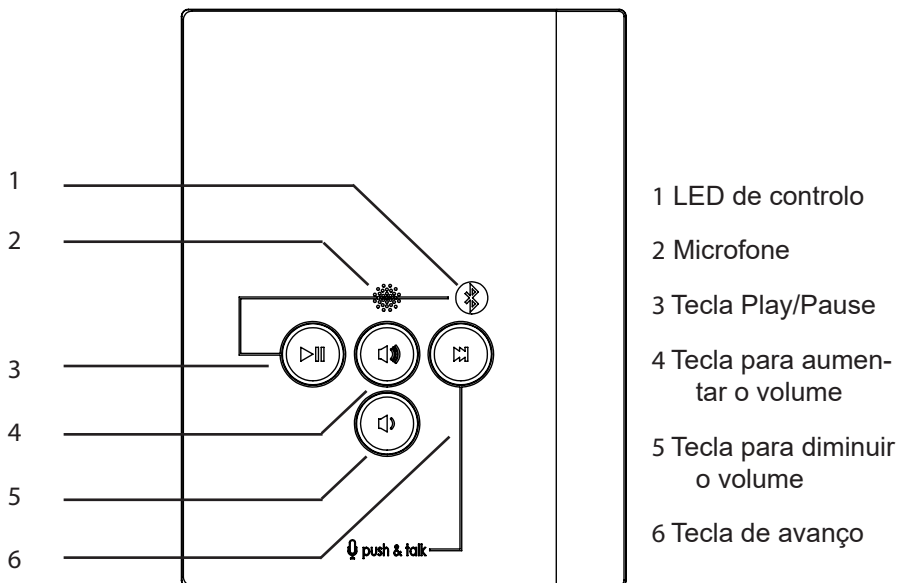


Fig. 4: Montagem da placa frontal

5. Operação

5.1. Elemento de comando



5.2. Estabelecer a primeira ligação (emparelhamento)



É imperativo que observe também o manual de operação da sua fonte de áudio (telemóvel, tablet, etc.)

1. Ligue a ficha de alimentação do ProD Bluetooth a uma tomada elétrica (230 V).
 - ▶ O LED de controlo 1 no ProD Bluetooth pisca alternadamente a vermelho e a azul durante cerca de 3 minutos (modo de emparelhamento).
 - ▶ Após o modo de emparelhamento, o ProD Bluetooth fica em modo de espera. O LED de controlo 1 no ProD Bluetooth pisca lentamente a azul.
 - ▶ Para voltar ao modo de emparelhamento, prima a tecla de avanço durante 3 segundos.
2. Ligue a fonte de áudio (telemóvel, tablet, etc.).
3. Ligue a função Bluetooth da fonte de áudio.

Se a sua fonte de áudio não procurar automaticamente aparelhos com Bluetooth que se encontrem nas proximidades, inicie a procura de forma manual, selecionando, por exemplo, “Procurar aparelhos” ou uma função com designação semelhante.

- ▶ A maioria dos aparelhos procuram e mostram automaticamente outros aparelhos com Bluetooth que se encontrem nas proximidades.
 - ▶ O ProD Bluetooth é apresentado com a designação “sentio.BT xxx” na fonte de áudio.
 - ▶ xxx corresponde ao número de identificação de um aparelho (por exemplo, E2D)
4. Selecione “sentio.BT xxx” na lista de aparelhos que é apresentada na fonte de áudio.
 - ▶ É estabelecida a primeira ligação Bluetooth entre a fonte de áudio e o ProD Bluetooth (= emparelhamento).
 - ▶ O LED de controlo 1 no ProD Bluetooth acende-se a azul.
 - ▶ O ProD Bluetooth está ligado e pronto a funcionar.
 5. Reproduza a música que pretende com o leitor da sua fonte de áudio.
 - ▶ A música é emitida pelos altifalantes que estão ligados ao ProD Bluetooth.

5.3. Ajustar o volume

Utilize as teclas para aumentar/diminuir o volume 4, 5 no ProD Bluetooth para mudar o volume.

O volume pode ser ajustado em 4 níveis no ProD Bluetooth. O volume máximo é alcançado quando, depois de pressionar a tecla para aumentar o volume 4 o LED de controlo 1 pisca três vezes. O volume mínimo é alcançado quando, depois de pressionar a tecla para diminuir o volume 5, o LED de controlo 1 pisca três vezes.



Se o nível de volume máximo do ProD Bluetooth lhe parecer demasiado baixo, aumente o volume na fonte de áudio. Se o nível de volume mínimo do ProD Bluetooth lhe parecer demasiado alto, diminua o volume na fonte de áudio.

5.4. Colocar em pausa/continuar a reprodução de música

Para colocar a reprodução de música em pausa ou para continuar a reproduzir música após a pausa, tem as seguintes opções:

- Utilize a tecla Play/Pause 3 no ProD Bluetooth.
- Utilize a tecla Play/Pause do leitor da sua fonte de áudio.

5.5. Selecionar faixa de música

Para selecionar uma faixa de música, tem as seguintes opções:

- Utilize a tecla de avanço 6 no módulo Bluetooth.
- Utilize as teclas de avanço/retrocesso do leitor da sua fonte de áudio.

5.6. Interromper a ligação

Para interromper a ligação Bluetooth entre a fonte de áudio (telemóvel, tablet, etc.) e o ProD Bluetooth, tem as seguintes opções:

- Desligue a função Bluetooth da fonte de áudio.
- Desligue a fonte de áudio manualmente. Para o efeito, observe o manual de operação do seu aparelho.

5.7. Estabelecer uma nova ligação

A ligação Bluetooth entre a fonte de áudio e o ProD Bluetooth é restabelecida automaticamente, se

- a fonte de áudio estiver fora do alcance do ProD Bluetooth.
- a função Bluetooth da fonte de áudio tiver sido desligada e se a ligar novamente.

Se tiver interrompido manualmente a ligação Bluetooth entre a fonte de áudio e o ProD Bluetooth na fonte de áudio, deve restabelecer a ligação Bluetooth também manualmente na fonte de áudio (consulte o ponto **5.2** na página **11**).

5.8. Mudar de fonte de áudio

Mudar para uma nova fonte de áudio (ainda não emparelhada)

Se quiser emparelhar o ProD Bluetooth a uma nova fonte de áudio, proceda da seguinte forma:

1. Interrompa a ligação Bluetooth entre a fonte de áudio anterior e o ProD Bluetooth. Para o efeito, observe o manual de operação do seu aparelho.
 - Prima a tecla Play/Pause 3 no ProD Bluetooth durante 3 segundos. O LED de controlo 1 pisca alternadamente a vermelho e a azul (modo de emparelhamento)
- ▶ O ProD Bluetooth pode agora estabelecer a primeira ligação a uma fonte de áudio diferente (emparelhamento - consulte o ponto **5.2** na página **11**).



Só pode estar um aparelho ativamente ligado ao ProD Bluetooth.

Mudar para uma fonte de áudio já emparelhada

O módulo Bluetooth guarda as informações de emparelhamento das últimas oito fontes de áudio. Para ligar o módulo Bluetooth a um aparelho já emparelhado, deve proceder da seguinte forma:

1. Interrompa a ligação Bluetooth entre a fonte de áudio anterior e o ProD Bluetooth. Para o efeito, observe o manual de operação do seu aparelho.
2. Estabeleça manualmente uma ligação Bluetooth entre a nova fonte de áudio e o módulo Bluetooth:
 - Selecione “sentio.BT xxx” na lista de aparelhos emparelhados.



Só pode estar um aparelho ativamente ligado ao ProD Bluetooth.

5.9. Atender uma chamada durante a reprodução de música

Quando recebe uma chamada no aparelho conectado, esta é encaminhada para o ProD Bluetooth e sinalizada com um toque. Se quiser atender a chamada, prima rapidamente a tecla de avanço 6. Em seguida, a reprodução de música é automaticamente interrompida, sendo retomada após o telefonema.



Se o LED de controlo piscar a violeta, significa que o microfone está ativado.

5.10. Utilizar o reconhecimento de voz

Observe o manual de operação do seu aparelho. Consoante as funções ativadas, estas podem ser iniciadas através do microfone integrado do ProD Bluetooth (por exemplo, fazer chamada para um contacto, atender uma chamada, reproduzir a faixa de música seguinte da lista de reprodução, criar lembretes, etc.).

1. Prima a tecla de avanço 6 durante 3 segundos para ativar o microfone (push to talk).
 - ▶ O LED de controlo 1 no ProD Bluetooth pisca a violeta e é emitido um sinal sonoro.

6. Limpeza e manutenção

6.1. Limpeza

ATENÇÃO!

Danos no aparelho

O aparelho está protegido contra salpicos de água, porém, o contacto direto com água pode danificar o aparelho.

- NUNCA mergulhe o aparelho em água.
- Não deite água no aparelho.
- A limpeza do aparelho não deve ser demasiado húmida.
- NUNCA experimente limpar a parte de trás do aparelho, deixe esta tarefa para um electricista.
- NUNCA abra a caixa do aparelho

1. Embeba um toalhete numa solução de água e sabão suave.
2. Esprema bem o toalhete.
3. Limpe a parte da frente do aparelho com cuidado.

6.2. Manutenção

O ProD Bluetooth não requer qualquer manutenção.

7. Eliminação



- Elimine os materiais da embalagem de acordo com as diretivas de eliminação em vigor.
- Os aparelhos usados contêm materiais reutilizáveis, mas também substâncias perigosas. Por isso, não deite, sob circunstância alguma, o seu aparelho usado no lixo residual. Elimine-o, sim, de acordo com as disposições válidas localmente.

8. Resolução de problemas

<i>Erro</i>	<i>Causa</i>	<i>Solução</i>
Não é possível emparelhar uma fonte de áudio.	A fonte de áudio encontra-se fora do alcance do ProD Bluetooth.	Diminua a distância entre a fonte de áudio e o ProD Bluetooth.
	O ProD Bluetooth não está no modo de emparelhamento.	<p>Prima a tecla Play/Pause 3 durante 3 segundos.</p> <p>► O LED de controlo 1 no módulo Bluetooth pisca alternadamente a vermelho e a azul (modo de emparelhamento).</p>
Não é possível estabelecer a ligação Bluetooth entre uma fonte de áudio e o ProD Bluetooth.	A fonte de áudio encontra-se fora do alcance do ProD Bluetooth.	Diminua a distância entre a fonte de áudio e o ProD Bluetooth.
	O ProD Bluetooth já está conectado a uma outra fonte de áudio.	Desligue a outra fonte de áudio.
A faixa de música seguinte não é reproduzida. A tecla de avanço não funciona	Quando o ProD Bluetooth envia o comando para a fonte de áudio, esta não consegue utilizar o comando	Utilize uma fonte de áudio diferente
Não é possível ativar o microfone, mesmo premindo a tecla de avanço durante 3 segundos	Quando o ProD Bluetooth envia o comando para a fonte de áudio, esta não consegue utilizar o comando	Verifique as definições das entradas por voz na fonte de áudio.

9. Dados técnicos

Condições ambientais

Temperatura de armazenamento:	-25 °C até +70 °C
Temperatura ambiente:	0 °C até +100 °C
Humidade:	máx. 99% sem condensação

Dimensões

Dimensões:	79 x 103 x 36,6 mm
Dimensões da abertura	65 x 70 x 35 mm

Fios (resistentes a uma temperatura de 150 °C)

Fio de ligação e cabo de extensão	mín. 2 x 0,4 mm ²
Fios dos altifalantes (máx. 3 m):	mín. 2 x 0,4 mm ²

Bluetooth

Versão:	4.0
Alcance	até 30 m

Fios (resistentes a uma temperatura de 150 °C)

Fio de ligação e cabo de extensão	mín. 2 x 0,4 mm ²
Fios dos altifalantes (máx. 3 m):	mín. 2 x 0,4 mm ²

Ligações

- Ligação de áudio para dois altifalantes
- Ligação Line Out
- Ficha de alimentação com adaptador

Altifalante

Impedância	2 x 8 Ω
Potência por canal:	2 x 3 W
Valor P.M.P.O.:	~ 15 W
Resistência térmica	mín. 120 °C

- Recomenda-se a utilização dos altifalantes WC4-BT-SPK ou WC4-BT-EXC, caso contrário, podem surgir ruídos incômodos (barulhos).

Sistemas operativos possíveis para a fonte de áudio

Android a partir da versão 1.5

iPad/iPhone a partir do iOS 3.0

Nokia Symbian

Linux

NOTA: o Windows 7 NÃO suporta todas as funcionalidades. Por isso, não é possível ajustar o volume através das teclas para aumentar/diminuir o volume no módulo Bluetooth.



GLOBAL: Harvia Finland Oy | P.O. Box 12 | Teollisuustie 1-7 | 40951 Muurame | FINLAND | +358 207 464 000 | harvia@harvia.fi
CENTRAL EUROPE: Harvia Austria GmbH | Wartenburger Straße 31 | A-4840 Vöcklabruck | +43 (0) 7672/22900-50 | info@harvia.com
www.harvia.com

