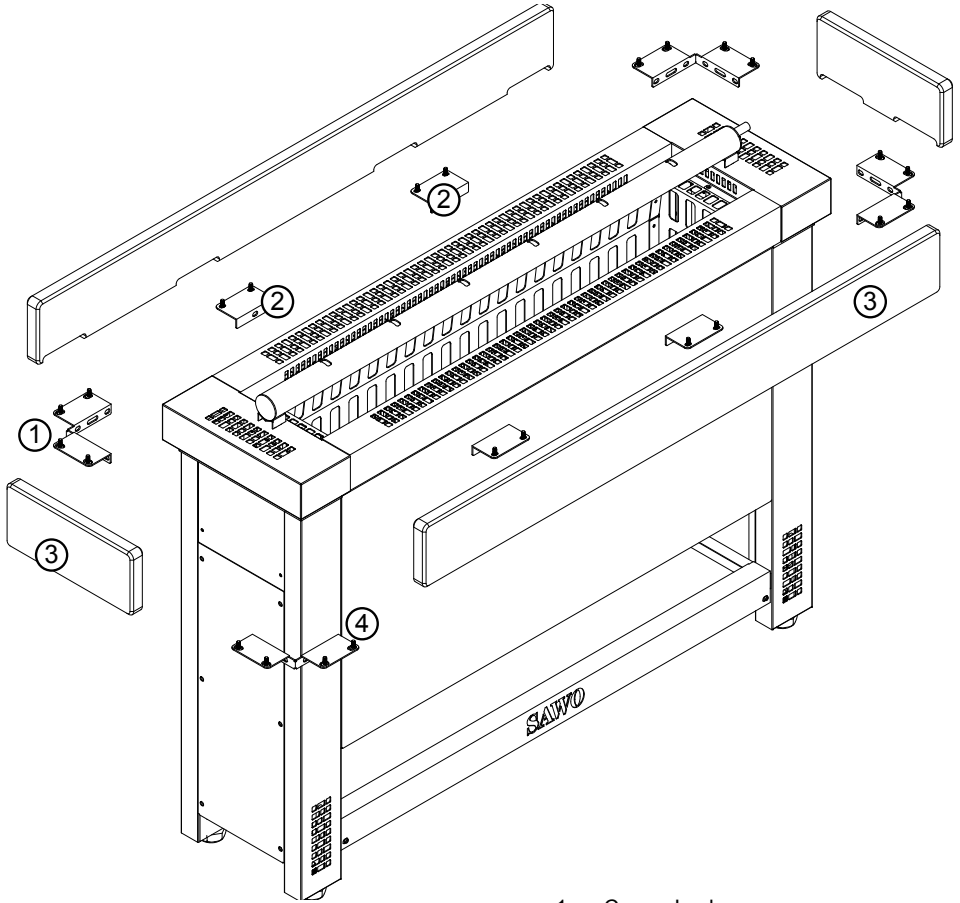


# Helius Heaterguard Manual

# Parts List Exterior



- 1. Corner Lock
- 2. Center Lock
- 3. Wood Guard
- 4. M6 screws

## Requirements for Installation

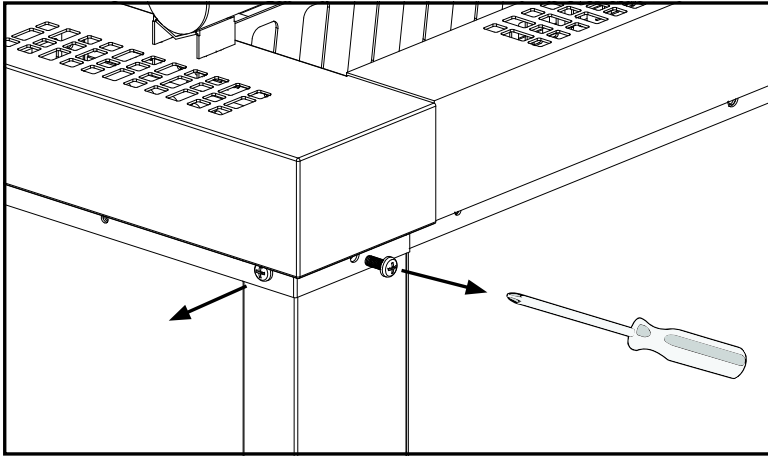


Phillip Screwdriver

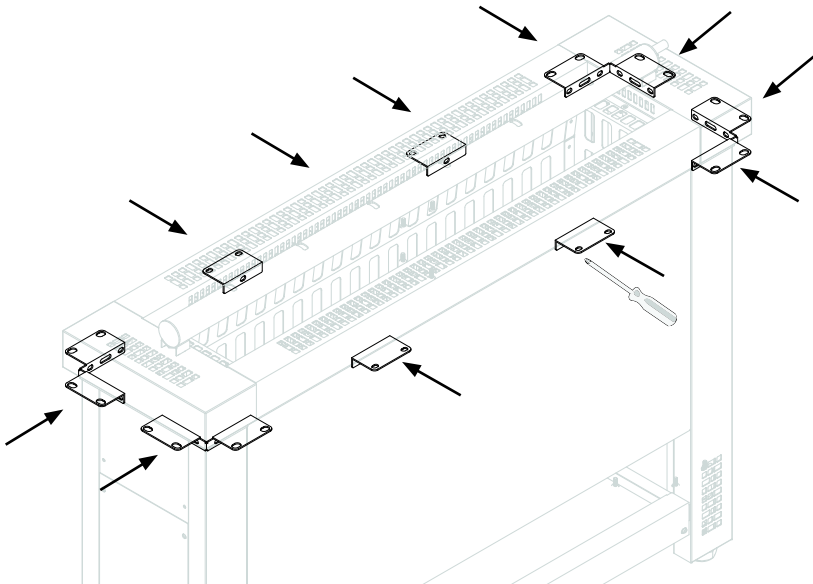
# Heaterguard Installation

**01** Remove existing screws from heater.

**Take note:** Do not remove all screws around the frame in one time when installing the metal holders. It should be installed one by one.



**02** Attach corner and center locks and secure with previously removed screws.



# Heaterguard Installation

**03** Attach wood guards and secure with screws

