



Steam Door Set

A good **steam** door traps steam inside and directs the condensed water towards the floor drain. SAWO steam **door** set does this all and has a **sophisticated** slender appearance! It has rubber gasket and a magnetic lock to keep the steam inside the room. The lower part of the 8 mm thick **tempered glass** has a water catcher attached to it. The water catcher together with an inclined lower jamb makes sure that all the water stays inside the steam room.

The steam door set is very easy to assemble. One may attached it to the walls using silicone or screwing the jamb into the wall opening. Extra screws and rubber caps are provided.

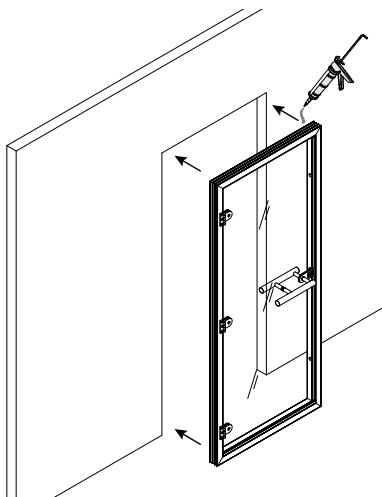


Specs:

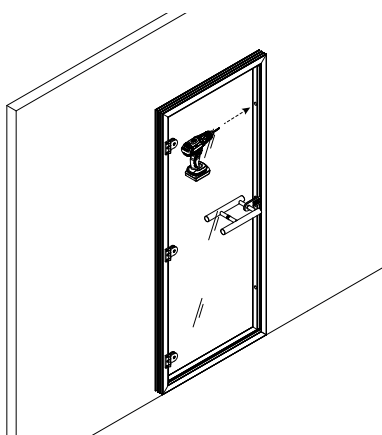
- » aluminum door jamb
- » frosted 8mm tempered glass door
- » stainless door handle set
- » 3 heavy duty hinges
- » magnetic door lock
- » sealed rubber gasket
- » plastic water catcher
- » wedges for easy installation
- » extra screws and rubber caps
- » silicone, allen wrench and screw guide included



DOOR INSTALLATION



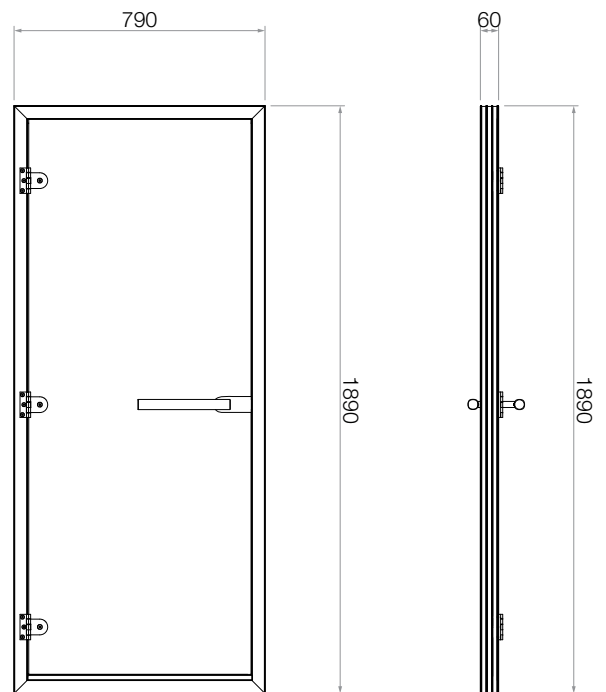
The steam door set can easily be mounted using a silicone to affix it to the wall opening. The aluminum frame is designed with perforated edges so that sealant can hold the door properly.



Extra screws and caps are provided for installing steam door with screws. Follow user manual for installation details.

Dimensions:

790 x 60 x 1890mm

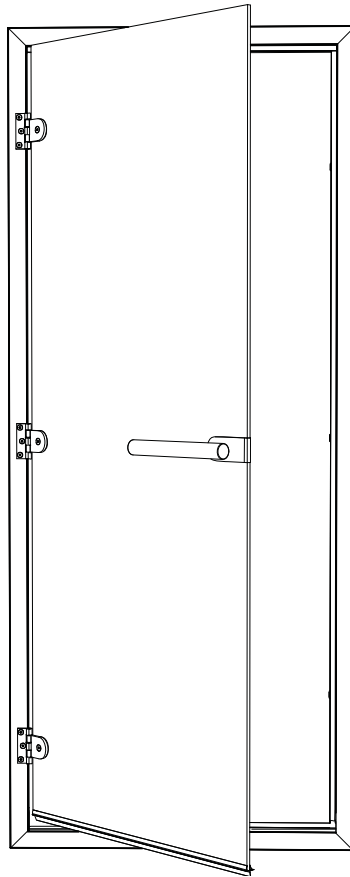


Front View

Side View



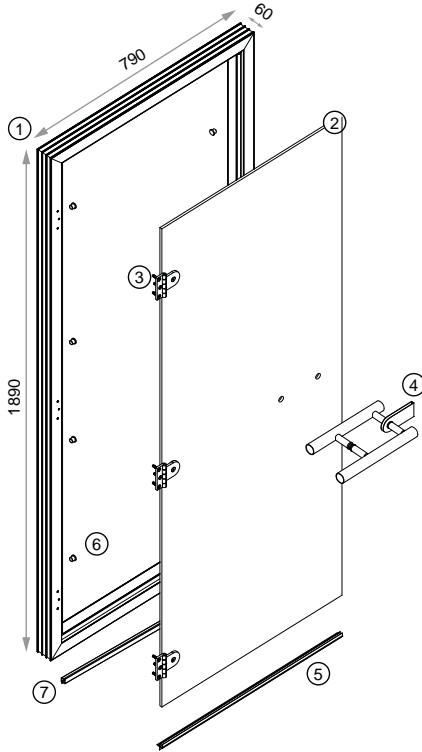
www.sawo.com



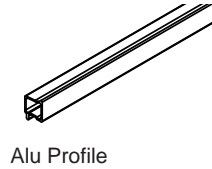
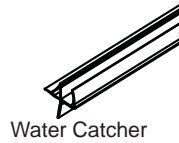
Steam Door Installation Manual

790mm x 60mm x 1890mm

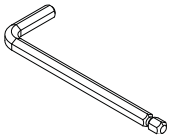
Steam Door Parts List



1. Door Frame
2. Glass Door
3. Glass Door Hinges x 3pcs
4. Door Handle
5. Water Catcher
6. Frame Hole Plug x 8pcs
7. Alu Profile



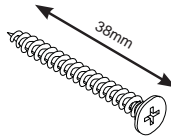
Requirements for Installation



4mm Allen Wrench
(Included in the package)



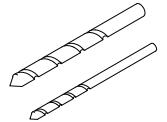
Plastic Tox



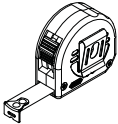
Wall Screw
6RM08-934
(Included in the package)



Drill



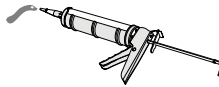
13mm and 6mm Drill Bits



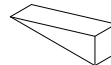
Measuring Tape



12.6mm Screw Guide
(Included in the package)



Industrial Silicone



Wooden Wedge x 12
(Included in the package)



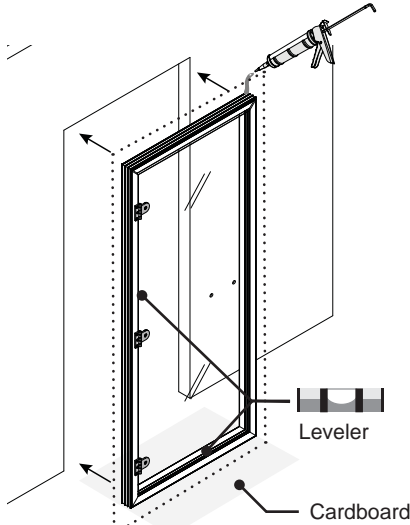
Leveler



Screw Hole Plug
(Included in the package)

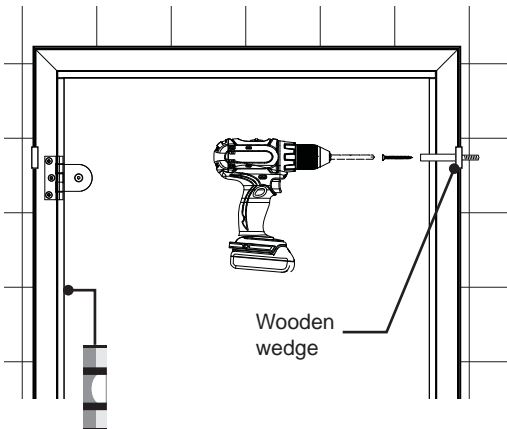
Door Frame Installation

1 Option 1 (Silicone Mounting) Affix the door set to the steam room with silicone.



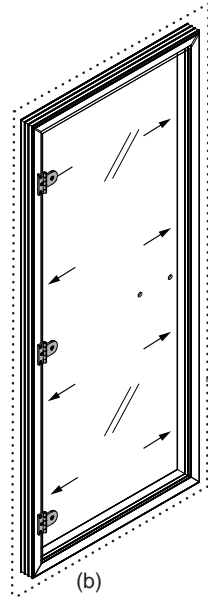
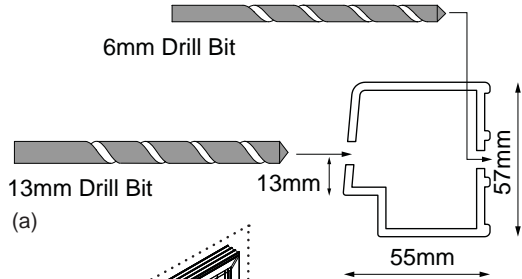
! Use a leveler to make sure that the frame is leveled from the floor and the sides are at 90 degrees to ensure smooth opening and closing of the door. Place cardboard in front of the door opening as cushion to the corners for the glass in case it accidentally hits the floor.

2b Pre-drill holes to the wall opening while steam door jamb is on place. Screw the steam door jamb using the screw guide. Place the hole plugs after installing.




! Use the wedges to level the door frame sides. Gaps around the frame can be filled with insulation or gap filler and covered with moulding.

2a Option 2 (Screw Mounting - optional). Pre-drill the screw holes (b) with the correct size and distance from the frame edge as shown in the illustration (a).

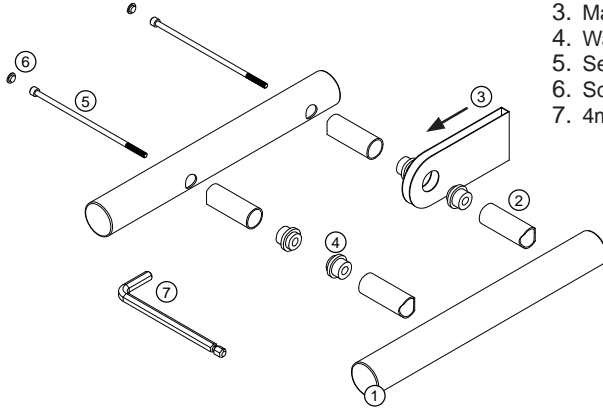
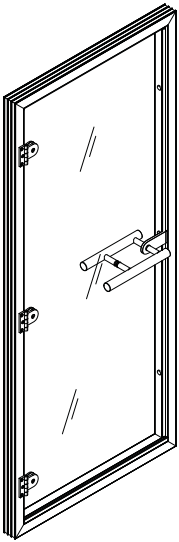


! Arrows indicate suggested holes location.

-  Plastic Torx
-  Wall Screw
(Included in the package)
-  Screw Hole Plug
(Included in the package)
-  Screw Guide
(Included in the package)
-  Wooden Wedge
(Included in the package)

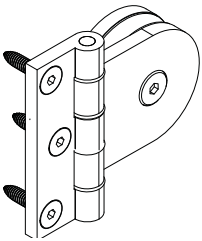
3

Attach the door handle to the glass and secure with bolt using Allen wrench. Cover the holes with screw plug after installing.

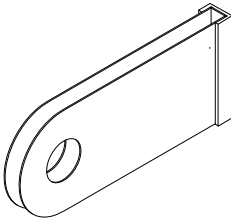


1. Handle Bars
2. Sleeves
3. Magnet Catch
4. Washers
5. Securing Bolts
6. Screw Plugs x 2 pcs
7. 4mm Allen Wrench

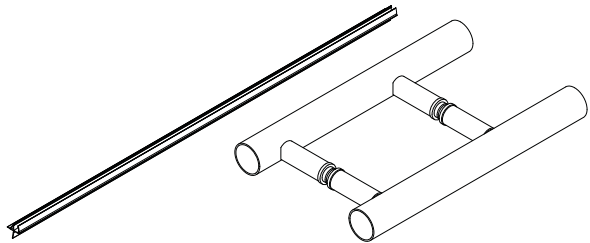
Steam Door Spare Parts



Hinge
ST-001



Magnet Catch
ST-002



Water Catcher
ST-004

Door Handle
ST-003



www.sawo.com